



Product Catalogue

Security & Surveillance System

AICO

intelligent solutions



Alco is one of the leading intelligent solution providers of Fire Detection System, Security System and Public Addressing System in the United States of America. Based in California since 1992, we have grown to deliver the most innovative building management solutions (BMS) for commercial and industrial establishments around the globe.

Alco is committed to deliver effective solutions that can help our customers. Our supplied products are designed to cater our customers in the most effective manner and we take that responsibility very seriously. Our smart and effective Building Solutions has given us an opportunity to diversify and explore new business opportunity in the market and we are extremely delighted to penetrate successfully in various large and medium scale projects.

Content

Analogue CCTV


AHD CCTV Camera

IP CCTV Camera



ANALOGUE CCTV CAMERA

STATE OF THE ART HIGH DEFINITION



Alco Analog Series is designed and developed to take large areas without losing any details.

Analog Dome Camera

AIS-ANG300D



Sensor	: 1/4 HD CMOS sensor 3089
Resolution	: PAL/NTSC
TVL	: 800TVL
Illumination	: Color:0.01Lux@(F1.2,AGC ON),0Lux with IR : B&W:0.001Lux@(F1.2,AGC ON),0Lux with IR
Photoresistor mouth	: A photoresistor interface, support photoresistor input, IR-CUT, infrared light linkage
Shutter Mode	: 1/50 (1/60) sec to 1 / 100,000 sec
Day &Night	: Support IR-CUT mechanical switch
Lens parameters	: 3.6mm lens
Synchronous mode	: Internal Synchronization
SNR	: >50dB
IR Distance	: 25M
Power supply	: DC12V
Power	: <5W
Working temperature and humidity	: 10°C ~ 60°C, Humidity less than 90% (non condensing)

Analog Bullet Camera

AIS-ANG400B



Sensor	: 1/4 HD CMOS sensor 3089
Resolution	: PAL/NTSC
TVL	: 800TVL
Illumination	: Color:0.01Lux@(F1.2,AGC ON),0Lux with IR : B&W:0.001Lux@(F1.2,AGC ON),0Lux with IR
Photoresistor mouth	: A photoresistor interface, support photoresistor input, IR-CUT, infrared light linkage
Shutter Mode	: 1/50 (1/60) sec to 1 / 100,000 sec
Day &Night	: Support IR-CUT mechanical switch
Lens parameters	: 3.6mm lens
Synchronous mode	: Internal Synchronization
SNR	: >50dB
IR Distance	: 25M
Power supply	: DC12V
Power	: <5W
Working temperature and humidity	: 10°C ~ 60°C, Humidity less than 90% (non condensing)



Analog Bullet Camera

AIS-ANG401B



Sensor	: 1/4 HD CMOS sensor 3089
Resolution	: PAL/NTSC
TVL	: 800TVL
Illumination	: Color:0.01Lux@(F1.2,AGC ON),0Lux with IR : B&W:0.001Lux@(F1.2,AGC ON),0Lux with IR
Photoresistor mouth	: A photoresistor interface, support photoresistor input, IR-CUT, infrared light linkage
Shutter Mode	: 1/50 (1/60) sec to 1 / 100,000 sec
Day & Night	: Support IR-CUT mechanical switch
Lens parameters	: 3.6mm lens
Synchronous mode	: Internal Synchronization
SNR	: >50dB
IR Distance	: 25M
Power supply	: DC12V
Power	: <5W
Working temperature and humidity	: 10°C ~ 60°C, Humidity less than 90% (non condensing)

Analog Bullet Camera

AIS-ANG402D



Sensor	: 1/4 HD CMOS sensor 3089
Resolution	: PAL/NTSC
TVL	: 800TVL
Illumination	: Color:0.01Lux@(F1.2,AGC ON),0Lux with IR : B&W:0.001Lux@(F1.2,AGC ON),0Lux with IR
Photoresistor mouth	: A photoresistor interface, support photoresistor input, IR-CUT, infrared light linkage
Shutter Mode	: 1/50 (1/60) sec to 1 / 100,000 sec
Day & Night	: Support IR-CUT mechanical switch
Lens parameters	: 3.6mm lens
Synchronous mode	: Internal Synchronization
SNR	: >50dB
IR Distance	: 25M
Power supply	: DC12V
Power	: <5W
Working temperature and humidity	: 10°C ~ 60°C, Humidity less than 90% (non condensing)





AHD CAMERA

STATE OF THE ART HIGH DEFINITION

Alco AHD Series comes in a compact size, designed to respond to the needs of indoor and outdoor applications. Highly efficient IR illuminators make this series suitable in low light situations.

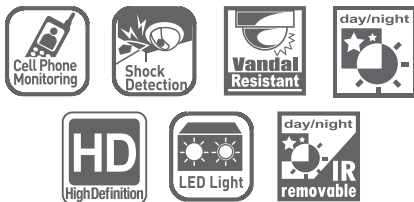


AHD Dome HD Camera

960P 1.3MP / 1080P 2.0MP



IP66
standard



Specifications	AIS-AHD531MVD 960P 1.3MP AIS-AHD532MVD 1080P 2.0MP
Sensor	Sony IMX 238 (1.3 MP) and Sony IMX 322 (2MP)
Resolution	PAL/NTSC : AHD-H Definition (TVL) is equivalent to the Network HD 1080P Camera
Illumination	Color:0.01Lux@(F1.2,AGC ON),0Lux with IR B&W:0.001Lux@(F1.2,AGC ON),0Lux with IR
Photo resistor mouth	A photo resistor interface, support photo resistor input, IR-CUT, infrared light linkage
Shutter Mode	1/50 (1/60) sec to 1 / 100,000 sec.
Day & Night	Support IR-CUT mechanical switch
Lens parameters	2.8-12mm lens
Synchronous mode	Internal Synchronization
SNR	>50dB
Frame accumulation	Support (maximum 30)
DNR	2DNR,3DNR
Business function	MOTION,PRIVACY,DEFOG,MIRROR,RS485
D-WDR	support
BACKLIGHT	BLC,HSBLC
IR Distance	30M
IR LED:	Φ 5x36pcs
Power supply	DC12V±10%
Power	<5W
Working temperature and humidity	10°C ~ 60°C, Humidity less than 90% (non-condensing)

Main Features

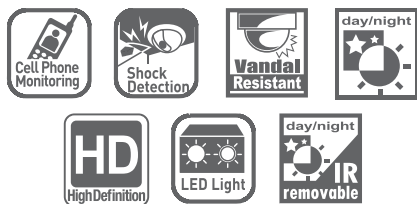
- By using the high performance sensor, image is clear, delicate and high performance sensor, image is clear, delicate
- Support IR-CUT dual filter switch, day and night to achieve monitoring, color is not partial color distortion
- Analog HD AHD-H video output
- Support for OSD menu options, can be freely adjusted image, function
- The transmission distance is 500 meters
- The need to access the back-end AHD DVR
- Support the ultra low illumination
- Support automatic electronic shutter function, adapt to different monitoring environment
- Waterproof design IP66, reliability
- Million pixel HD video transmission of low cost, long distance, no delay, high efficiency, anti-jamming and easy to implement

AHD Bullet HD Camera

960P 1.3MP



IP66
standard



Main Features

- By using the high performance sensor, image is clear, delicate and high performance sensor, image is clear, delicate
- Support IR-CUT dual filter switch, day and night to achieve monitoring, color is not partial color distortion
- Analog HD AHD-M video output
- Support for OSD menu options, can be freely adjusted image, function
- The transmission distance is 500 meters
- The need to access the back-end AHD DVR
- Support the ultra low illumination
- Support automatic electronic shutter function, adapt to different monitoring environment
- Waterproof design IP66, reliability
- Million pixel HD video transmission of low cost, long distance, no delay, high efficiency, anti-jamming and easy to implement

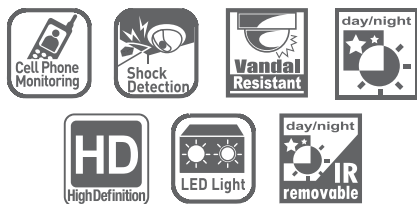
Specifications	AIS-AHD531M
Sensor	1/3 "SONY IMX238 CMOS sensor;
Resolution	PAL/NTSC : AHD-M Definition (TVL) is equivalent to the Network HD 960P Camera
Illumination	Color:0.01Lux@(F1.2,AGC ON),0Lux with IR B&W:0.001Lux@(F1.2,AGC ON),0Lux with IR
Photo resistor mouth	A photo resistor interface, support photo resistor input, IR-CUT, infrared light linkage
Shutter Mode	1/50 (1/60) sec to 1 / 100,000 sec.
Day &Night	Support IR-CUT mechanical switch
Lens parameters	3.6mm lens
Synchronous mode	Internal Synchronization
SNR	>50dB
Frame accumulation	Support (maximum 30)
DNR	2DNR,3DNR
Business function	MOTION,PRIVACY,DEFOG,MIRROR,RS485
D-WDR	support
BACKLIGHT	BLC,HSBLC
IR Distance	30M
IR LED	Φ 5x24pcs, Φ 5x36pcs
Power supply	DC12V±10%
Power	<5W
Working temperature and humidity	10°C ~ 60°C, Humidity less than 90% (non-condensing)

AHD Bullet HD Camera

1080P 2.0MP



IP66
standard



Specifications	AIS-AHD532M
Sensor	1/3 "SONY IMX322 CMOS sensor;
Resolution	PAL/NTSC : AHD-H Definition (TVL) is equivalent to the Network HD 1080P Camera
Illumination	Color:0.01Lux@(F1.2,AGC ON),0Lux with IR B&W:0.001Lux@(F1.2,AGC ON),0Lux with IR
Photo resistor mouth	A photo resistor interface, support photo resistor input, IR-CUT, infrared light linkage
Shutter Mode	1/50 (1/60) sec to 1 / 100,000 sec.
Day &Night	Support IR-CUT mechanical switch
Lens parameters	3.6mm lens
Synchronous mode	Internal Synchronization
SNR	>50dB
Frame accumulation	Support (maximum 30)
DNR	2DNR,3DNR
Business function	MOTION,PRIVACY,DEFOG,MIRROR,RS485
D-WDR	support
BACKLIGHT	BLC,HSBLC
IR Distance	30M
IR LED	Φ 5x42pcs
Power supply	DC12V±10%
Power	<5W
Working temperature and humidity	10°C ~ 60°C, Humidity less than 90% (non-condensing)

Main Features

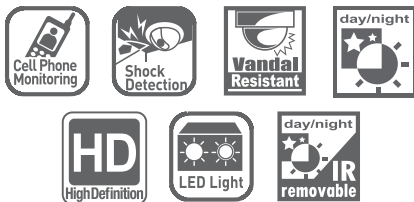
- By using the high performance sensor, image is clear, delicate and high performance sensor, image is clear, delicate
- Support IR-CUT dual filter switch, day and night to achieve monitoring, color is not partial color distortion
- Analog HD AHD-H video output
- Support for OSD menu options, can be freely adjusted image, function
- The transmission distance is 500 meters
- The need to access the back-end AHD DVR
- Support the ultra low illumination
- Support automatic electronic shutter function, adapt to different monitoring environment
- Waterproof design IP66, reliability
- Million pixel HD video transmission of low cost, long distance, no delay, high efficiency, anti-jamming and easy to implement

AHD Bullet HD Camera

960P 1.3MP



IP66
standard



Main Features

- By using the high performance sensor, image is clear, delicate and high performance sensor, image is clear, delicate
- Support IR-CUT dual filter switch, day and night to achieve monitoring, color is not partial color distortion
- Analog HD AHD-M video output
- Support for OSD menu options, can be freely adjusted image, function
- The transmission distance is 500 meters;
- The need to access the back-end AHD DVR
- Support the ultra low illumination
- Support automatic electronic shutter function, adapt to different monitoring environment
- Waterproof design IP66, reliability
- Million pixel HD video transmission of low cost, long distance, no delay, high efficiency, anti-jamming and easy to implement

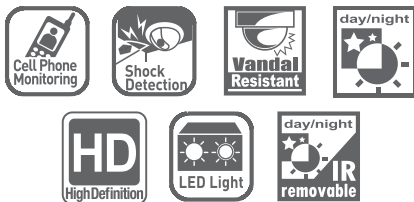
Specifications	AIS-AHD541M
Sensor	1/3 "SONY IMX238 CMOS sensor;
Resolution	PAL/NTSC : AHD-M Definition (TVL) is equivalent to the Network HD 960P Camera
Illumination	Color:0.01Lux@(F1.2,AGC ON),0Lux with IR B&W:0.001Lux@(F1.2,AGC ON),0Lux with IR
Photo resistor mouth	A photo resistor interface, support photo resistor input, IR-CUT, infrared light linkage
Shutter Mode	1/50 (1/60) sec to 1 / 100,000 sec.
Day &Night	Support IR-CUT mechanical switch
Lens parameters	4mm lens
Synchronous mode	Internal Synchronization
SNR	>50dB
Frame accumulation	Support (maximum 30)
DNR	2DNR,3DNR
Business function	MOTION,PRIVACY,DEFOG,MIRROR,RS485
D-WDR	support
BACKLIGHT	BLC,HSBLC
IR Distance	40M
IR LED	Φ 5x42pcs
Power supply	DC12V±10%
Power	<5W
Working temperature and humidity	10°C ~ 60°C, Humidity less than 90% (non-condensing)

AHD Bullet HD Camera

1080P 2.0MP



IP66
standard



Main Features

- By using the high performance sensor, image is clear, delicate and high performance sensor, image is clear, delicate
- Support IR-CUT dual filter switch, day and night to achieve monitoring, color is not partial color distortion
- Analog HD AHD-H video output
- Support for OSD menu options, can be freely adjusted image, function
- The transmission distance is 500 meters
- The need to access the back-end AHD DVR
- Support the ultra low illumination
- Support automatic electronic shutter function, adapt to different monitoring environment
- Waterproof design IP66, reliability
- Million pixel HD video transmission of low cost, long distance, no delay, high efficiency, anti-jamming and easy to implement

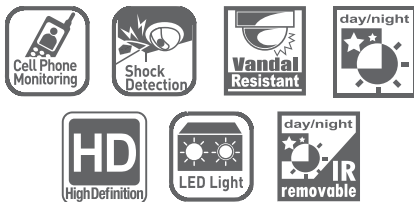
Specifications	AIS-AHD542M
Sensor	1/3 "SONY IMX322 CMOS sensor;
Resolution	PAL/NTSC : AHD-H Definition (TVL) is equivalent to the Network HD 1080P Camera
Illumination	Color:0.01Lux@(F1.2,AGC ON),0Lux with IR B&W:0.001Lux@(F1.2,AGC ON),0Lux with IR
Photo resistor mouth	A photo resistor interface, support photo resistor input, IR-CUT, infrared light linkage
Shutter Mode	1/50 (1/60) sec to 1 / 100,000 sec.
Day &Night	Support IR-CUT mechanical switch
Lens parameters	4mm lens
Synchronous mode	Internal Synchronization
SNR	>50dB
Frame accumulation	Support (maximum 30)
DNR	2DNR,3DNR
Business function	MOTION,PRIVACY,DEFOG,MIRROR,RS485
D-WDR	support
BACKLIGHT	BLC,HSBLC
IR Distance	40M
IR LED	Φ 5x42pcs
Power supply	DC12V±10%
Power	<5W
Working temperature and humidity	10°C ~ 60°C, Humidity less than 90% (non-condensing)

AHD Bullet HD Camera

960P 1.3MP



IP66
standard



Main Features

- By using the high performance sensor, image is clear, delicate and high performance sensor, image is clear, delicate
- Support IR-CUT dual filter switch, day and night to achieve monitoring, color is not partial color distortion
- Analog HD AHD-M video output
- Support for OSD menu options, can be freely adjusted image, function
- The transmission distance is 500 meters
- The need to access the back-end AHD DVR
- Support the ultra low illumination
- Support automatic electronic shutter function, adapt to different monitoring environment
- Waterproof design IP66, reliability
- Million pixel HD video transmission of low cost, long distance, no delay, high efficiency, anti-jamming and easy to implement

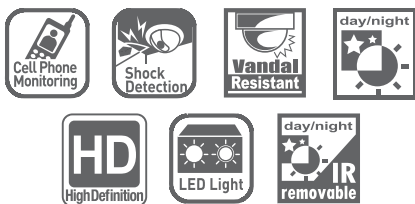
Specifications	AIS-AHD541MV
Sensor	1/3 "SONY IMX238 CMOS sensor;
Resolution	PAL/NTSC : AHD-M Definition (TVL) is equivalent to the Network HD 960P Camera
Illumination	Color:0.01Lux@(F1.2,AGC ON),0Lux with IR B&W:0.001Lux@(F1.2,AGC ON),0Lux with IR
Photo resistor mouth	A photo resistor interface, support photo resistor input, IR-CUT, infrared light linkage
Shutter Mode	1/50 (1/60) sec to 1 / 100,000 sec.
Day &Night	Support IR-CUT mechanical switch
Lens parameters	2.8-12mm lens
Synchronous mode	Internal Synchronization
SNR	>50dB
Frame accumulation	Support (maximum 30)
DNR	2DNR,3DNR
Business function	MOTION,PRIVACY,DEFOG,MIRROR,RS485
D-WDR	support
BACKLIGHT	BLC,HSBLC
IR Distance	40M
IR LED	Φ 5x42pcs
Power supply	DC12V±10%
Power	<5W
Working temperature and humidity	10°C ~ 60°C, Humidity less than 90% (non-condensing)

AHD Bullet HD Camera

1080P 2.0MP



IP66
standard



Main Features

- By using the high performance sensor, image is clear, delicate and high performance sensor, image is clear, delicate
- Support IR-CUT dual filter switch, day and night to achieve monitoring, color is not partial color distortion
- Analog HD AHD-H video output
- Support for OSD menu options, can be freely adjusted image, function
- The transmission distance is 500 meters
- The need to access the back-end AHD DVR
- Support the ultra low illumination
- Support automatic electronic shutter function, adapt to different monitoring environment
- Waterproof design IP66, reliability
- Million pixel HD video transmission of low cost, long distance, no delay, high efficiency, anti-jamming and easy to implement

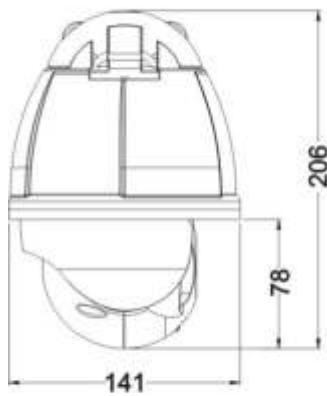
Specifications	AIS-AHD542MV
Sensor	1/3 "SONY IMX322 CMOS sensor;
Resolution	PAL/NTSC : AHD-H Definition (TVL) is equivalent to the Network HD 1080P Camera
Illumination	Color:0.01Lux@(F1.2,AGC ON),0Lux with IR B&W:0.001Lux@(F1.2,AGC ON),0Lux with IR
Photo resistor mouth	A photo resistor interface, support photo resistor input, IR-CUT, infrared light linkage
Shutter Mode	1/50 (1/60) sec to 1 / 100,000 sec.
Day &Night	Support IR-CUT mechanical switch
Lens parameters	2.8-12mm lens
Synchronous mode	Internal Synchronization
SNR	>50dB
Frame accumulation	Support (maximum 30)
DNR	2DNR,3DNR
Business function	MOTION,PRIVACY,DEFOG,MIRROR,RS485
D-WDR	support
BACKLIGHT	BLC,HSBLC
IR Distance	40M
IR LED	Φ 5x42pcs
Power supply	DC12V±10%
Power	<5W
Working temperature and humidity	10°C ~ 60°C, Humidity less than 90% (non-condensing)

Alco PTZ Series is perfect for indoor and outdoor use. Our high quality PTZ range comes with a powerful zoom capability allowing the users to capture small details.

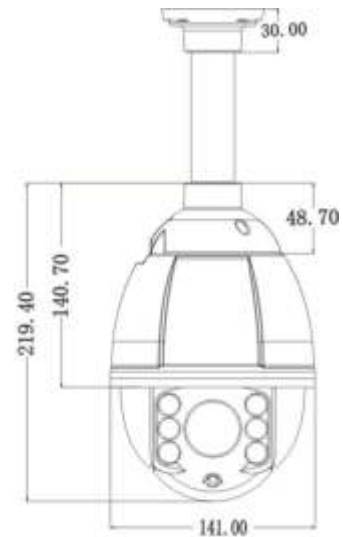
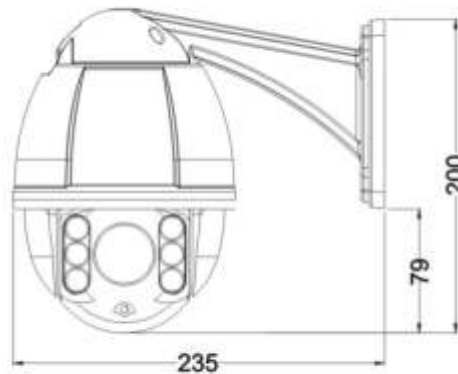


PTZ HIGH SPEED DOME CAMERA

Alarm Linkage, Auto-adaptive to Protocol and Module, 3D Allocation, Privacy Masking, Trace Memory (Pattern Scan), Zero Alignment, Auto Flip, BLC(Back Light Compensation), Iris Control, Ratio Speed, 360 Scan, Preset, Guard Tour Scan, Power Off Memory, Park Action.



Wall Mounted



Ceiling Mounted



AIS-PTZ700-130

NVP6011+SONY238 1.3MP

AIS-PTZ700-200

NVP6011+SONY238 2.0MP

- 4.5" Outdoor high speed PTZ camera, without delay.
- 1/3 inch CMOS sensor, 10X optical zoom, 5-50mm Optical zoom, IR-CUT
- IR distance 50M

AIS-PTZ701-130

NVP6011+SONY238 1.3MP

AIS-PTZ701-200

NVP6021+SONY222 2.0MP

- 3.5" Indoor high speed dome ptz camera
- 1/3 inch CMOS sensor, 10X optical zoom 5-50mm Optical zoom
- IR-CUT



PTZ HIGH SPEED DOME CAMERA



AIS-PTZ702-130

NVP6011+SONY238 1.3MP

AIS-PTZ702-200

NVP6021+SONY222 2.0MP

- 3.5 inch Outdoor middle mini Speed Dome camera
- 1/3 inch CMOS sensor, 10X optical zoom 5-50mm Optical zoom
- IR-CUT



AIS-PTZ703-130

NVP6011+SONY238 1.3MP

AIS-PTZ703-200

NVP6021+SONY222 2.0MP

- 7 inch infrared high-speed Dome, English OSD menu, no delay
- 1/3 inch progressive scan CMOS sensor, 20X optical zoom 4.7~84.6
- IR distance 120M



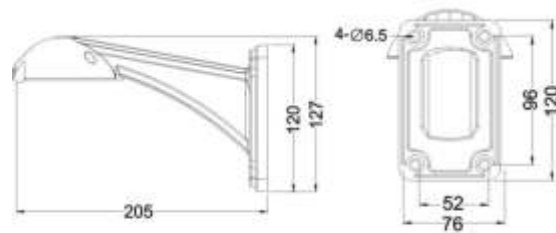
AIS-PTZ704-130

NVP6011+SONY238 1.3MP

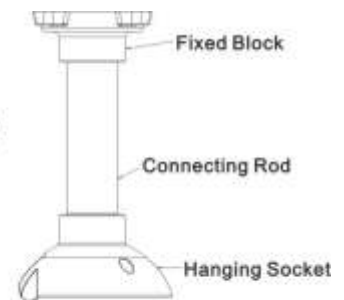
AIS-PTZ704-200

NVP6011+SONY238 2.0MP

- 7 inch infrared Middle-speed Dome constant-speed Dome
- 1/3 inch progressive scan CMOS sensor, 20X optical zoom ;4.7~84.6
- IR distance 120M



Wall Mounted Bracket



Ceiling Mounted Bracket

***Include power adapter and bracket

4-CH AHD DVR

960P



Main Features

- HD iDVR Three in one: DVR / HVR / NVR features 3-in-1, multi-mode input, support four analog video encoding, support for high-definition video mixing analog inputs + network support pure HD network video input.
- Step on the Internet: With XM cloud service, easy to achieve a variety of network penetrations ,one step to remote monitoring, getting rid of various complicated network settings, easy and simple to operate.
Compression algorithm ideal: H.264 High Profile compression algorithm,30% decrease of stream due to advanced space-time filtering technology.
- Playback quality: Supports full real-time encoding video, full real-time playback of multi-channel synchronous decoding.
- Main and Sub Stream: Main stream and Sub-stream encoding. Main stream for local storage, ensure image quality; Sub-stream for real-time network transmission, easy to solve bandwidth bottleneck problem.
- Mobile monitor: Support various mobile monitoring (iPhone, Windows Mobile, BlackBerry, Symbian, Android
- Display: support VGA, HDMI HD output.
- Operation interface: Similar to Windows operating style, easy to get started with powerful mouse right-click function.
- Network: Powerful network services (support DHCP, PPPOE, FTP, DNS, DDNS, EMAIL,IP searches etc.) And perfect support (WEB, Client, SDK), easy to achieve interoperability.
- Browsers: Support IE、Chrome、Firefox、Safari browsers.
- Remote Access: 3322 (Greek network), dyndns, oray (peanut shells), myq-see and other Domain Name Services are also provided.
- Differentiation: Boot screen free replacement, more than twenty languages, over 10 sets of GUI interface, ten kinds of remote control, which make our products different from others.
- Others: With unique black box technology, the whole process can be monitored, which greatly reduces maintenance costs.

Technical Features



Model No.		AIS-5496DVR
System	Video Compression Format	H.264
	Main Processor	H3520D V200 + NVP 1918C/6114
	Video System	NTSC / PAL
	Operation System	Embedded Linux
	AHD Signal System	AHD-L (960H) / AHD-M (720P) (Analog High Definition)
Video	Video Input	4CH BNC
	Video Output	1 x VGA / 1 x HDMI (1920* 1080)
	Video Distance	75-3 cable up to 500 Meters Transmission
Audio	Audio Input	4CH RCA
	Audio Output	1CH RCA
	Bidirectional Talk	YES
Recording	Recording Channel	4CH 720P Real Time, 4CH 960H Real Time
	Resolution	NTSC - D1 (704 x 480) / 960H (960 x 480) / 720P (1280 x 720) PAL - D1 (704 x 576) / 960H (960 x 576) / 720P (1280 x 720)
	Frame Rate	NTSC 30fps / PAL 25fps
	Recording Mode	Manual / Alarm / Motion Detection / Continuous
Playback	Playback Channel	4CH 720P Real Time, 4CH 960H Real Time
	Search Mode	Time / Date / Alarm / Motion Detection / Exact Search
	Playback Mode	Normal Play / Fast Forward / Fast Rewind / Frame by Frame
	Playback Software	General H.264 Player V1.7.0.
Alarm	Alarm Input	N/A
	Alarm Output	N/A
Storage	HDD Interface	2 x SATA Fixed HDD
	Capability	SATA HDD up to 4TB each
Backup	USB Disk	3 x USB 2.0 port
	SNAP Image	NO
	Backup Format	H.264 (only for Playback Software - General H.264 Player V1.7.0.)
	Backup Mode	Network download / Flash USB / movable HDD/SATA HDD / DVD-RW
PTZ	PTZ	1 x RS485
	Protocol	PELCO-P / PELCO-D / HY / NEON / PANASONIC / SAMSUNG / PHILIPS / SANLI SANTACHI / SHARP / SONY / YAAN
Network	Interface	RJ45 port / 10M / 100M / 1,000Mbps Ethernet
	Protocol	TCP/IP, DHCP, DDNS, DNS, PPPoE, UPNP, NTP, SMTP
Others	CMS Program	General_CMS_Eng_V3.0.7.7.T (up to 500 Video channels Platform)
	Mobile Phone Support	iPhone / iPad, Android, BlackBerry, Symbian, Windows Mobile Pro
	Computer System Support	Windows 2000, XP, Vista, 7, 8 / Mac OS x 10.6/10.7
	Compatible Browser	Google Chrome, Internet Explorer (IE11), Mozilla Firefox, Safari (Mac)
	3G/WIFI	3G/WIFI USB Dongle (Plug-and-Play)
	Free DDNS (P2P)	P2P Function via iCloud server (http://www.xmeye.net)
	IP Camera Protocol	ONVIF 2.3 Version Platform Protocol (IP Camera)
	Channel Type (Digital Menu)	4CH 720P AHD Camera, 4CH 960H Analog Camera, 2CH 720P AHD Camera + 2CH 720P IP Camera, 8CH 1080P IP Camera, 8CH 720P IP Camera
	Simultaneous Remote Viewers	6 Users Online
	Operating Temperature	0°C ~ 55°C
Operating Humidity	10% ~ 90%	
Dimension	330*250*55mm	
Weight	2.10 KGS	
USB Mouse	YES	
HDD Screw	8 PCS (1 Pack) - 2 x HDD	
Quick Start Guide (QSG)	YES	
Power Supply	DC12V/4A Switching Power Adapter (included Power Cord)	
Package	5pcs/ctn (457 x 455 x 308mm/carton)	

4-CH AHD DVR

1080P



Main Features

- HD iDVR Three in one: DVR / HVR / NVR features 3-in-1, multi-mode input, support four analog video encoding, support for
- high-definition video mixing analog inputs + network support pure HD network video input.
- Step on the Internet: With XM cloud service, easy to achieve a variety of network penetrations ,one step to remote monitoring, getting rid of various complicated network settings, easy and simple to operate.
Compression algorithm ideal: H.264 High Profile compression algorithm,30% decrease of stream due to advanced space-time filtering technology.
- Playback quality: Supports full real-time encoding video, full real-time playback of multi-channel synchronous decoding.
- Main and Sub Stream: Main stream and Sub-stream encoding. Main stream for local storage, ensure image quality; Sub-stream for real-time network transmission, easy to solve bandwidth bottleneck problem.
- Mobile monitor: Support various mobile monitoring (iPhone, Windows Mobile, BlackBerry, Symbian, Android)
- Display: support VGA, HDMI HD output.
- Operation interface: Similar to Windows operating style, easy to get started with powerful mouse right-click function.
- Network: Powerful network services (support DHCP, PPPOE, FTP, DNS, DDNS, EMAIL,IP searches etc.) And perfect support (WEB, Client, SDK), easy to achieve interoperability.
- Browsers: Support IE、 Chrome、 Firefox、 Safari browsers.
- Remote Access: 3322 (Greek network), dyndns, oray (peanut shells), myq-see and other Domain Name Services are also provided.
- Differentiation: Boot screen free replacement, more than twenty languages, over 10 sets of GUI interface, ten kinds of remote control, which make our products different from others.
- Others: With unique black box technology, the whole process can be monitored, which greatly reduces maintenance costs.

Technical Features



	Model	AIS-5410DVR
System	Main processor	H13531
Video	Video compression	H.264(High Profile)
	Encode capacity	4*1080P Real-time
	Decode capacity	4*1080P Real-time
	Multi-mode input	Pure analog: 4*AHD-H; 4*AHD-M; pure network:4*1080P; 1*1080P+8*720P; 20*960H; analog + network: 2*AHD-H (analog)+2*1080p(network); 4*AHD-M(analog)+4*720P(network)
Audio	Audio compression	G.711A
	Intercom	support
Record & playback	Record mode	manual>alarm>motion detection>timing
	Playback	4ch
Storage & backup	Space occupation	Video:1080P ~40G/day* channel;720P ~30G/day* channel; 960H 12~ 20G / day * channel; Audio: 691.2M / day * channel
	Backup mode	Network, U-disk, USB burner, SATA burner
Interface	Video input	4ch BNC
	Video output	1ch VGA, 1ch HDMI
	Audio input	4ch RCA
	Audio output	1ch RCA
	Network interface	RJ45 10M/100M
	PTZ control	1*RS485, Support multiple PTZ protocols
	USB	2* USB 2.0
	HDD	2*SATA port(Max 4TB/per)
Wireless	3G, WIFI (extension via USB)	
other	Power supply	12V/4A

8-CH AHD DVR

960P



Main Features

- HD iDVR Three in one: DVR / HVR / NVR features 3-in-1, multi-mode input, support four analog video encoding, support for high-definition video mixing analog inputs + network support pure HD network video input.
- Step on the Internet: With XM cloud service, easy to achieve a variety of network penetrations ,one step to remote monitoring, getting rid of various complicated network settings, easy and simple to operate.
Compression algorithm ideal: H.264 High Profile compression algorithm,30% decrease of stream due to advanced space-time filtering technology.
- Playback quality: Supports full real-time encoding video, full real-time playback of multi-channel synchronous decoding.
- Main and Sub Stream: Main stream and Sub-stream encoding. Main stream for local storage, ensure image quality; Sub-stream for real-time network transmission, easy to solve bandwidth bottleneck problem.
- Mobile monitor: Support various mobile monitoring (iPhone, Windows Mobile, BlackBerry, Symbian, Android)
- Display: support VGA, HDMI HD output.
- Operation interface: Similar to Windows operating style, easy to get started with powerful mouse right-click function.
- Network: Powerful network services (support DHCP, PPPOE, FTP, DNS, DDNS, EMAIL,IP searches etc.) And perfect support (WEB, Client, SDK), easy to achieve interoperability.
- Browsers: Support IE、Chrome、Firefox、Safari browsers.
- Remote Access: 3322 (Greek network), dyndns, oray (peanut shells), myq-see and other Domain Name Services are also provided.
- Differentiation: Boot screen free replacement, more than twenty languages, over 10 sets of GUI interface, ten kinds of remote control, which make our products different from others.
- Others: With unique black box technology, the whole process can be monitored, which greatly reduces maintenance costs.

Technical Features



Model No.		AIS-5896DVR
System	Video Compression Format	H.264
	Main Processor	HI3520D V200 + NVP 1918C/6114
	Video System	NTSC / PAL
	Operation System	Embedded Linux
	AHD Signal System	AHD-L (960H) / AHD-M (720P) (Analog High Definition)
Video	Video Input	8CH BNC
	Video Output	1 x VGA / 1 x HDMI (1920* 1080)
	Video Distance	75-3 cable up to 500 Meters Transmission
Audio	Audio Input	8CH RCA
	Audio Output	1CH RCA
	Bidirectional Talk	YES
Recording	Recording Channel	8CH 720P Real Time, 8CH 960H Real Time
	Resolution	NTSC - D1 (704 x 480) / 960H (960 x 480) / 720P (1280 x 720) PAL - D1 (704 x 576) / 960H (960 x 576) / 720P (1280 x 720)
	Frame Rate	NTSC 30fps / PAL 25fps
	Recording Mode	Manual / Alarm / Motion Detection / Continuous
Playback	Playback Channel	4CH 720P Real Time, 8CH 960H Real Time
	Search Mode	Time / Date / Alarm / Motion Detection / Exact Search
	Playback Mode	Normal Play / Fast Forward / Fast Rewind / Frame by Frame
	Playback Software	General H.264 Player V1.7.0.
Alarm	Alarm Input	N/A
	Alarm Output	N/A
Storage	HDD Interface	2 x SATA Fixed HDD
	Capability	SATA HDD up to 4TB each
Backup	USB Disk	3 x USB 2.0 port
	SNAP Image	NO
	Backup Format	H.264 (only for Playback Software - General H.264 Player V1.7.0.)
	Backup Mode	Network download / Flash USB / movable HDD/SATA HDD / DVD-RW
PTZ	PTZ	1 x RS485
	Protocol	PELCO-P / PELCO-D / HY / NEON / PANASONIC / SAMSUNG / PHILIPS / SANLI SANTACHI / SHARP / SONY / YAAN
Network	Interface	RJ45 port / 10M / 100M / 1,000Mbps Ethernet
	Protocol	TCP/IP, DHCP, DDNS, DNS, PPPoE, UPNP, NTP, SMTP
Others	CMS Program	General_CMS_Eng_V3.0.7.7.T (up to 500 Video channels Platform)
	Mobile Phone Support	iPhone / iPad, Android, BlackBerry, Symbian, Windows Mobile Pro
	Computer System Support	Windows 2000, XP, Vista, 7, 8 / Mac OS x 10.6/10.7
	Compatible Browser	Google Chrome, Internet Explorer (IE11), Mozilla Firefox, Safari (Mac)
	3G/WIFI	3G/WIFI USB Dongle (Plug-and-Play)
	Free DDNS (P2P)	P2P Function via iCloud server (http://www.xmeye.net)
	IP Camera Protocol	ONVIF 2.3 Version Platform Protocol (IP Camera)
	Channel Type (Digital Menu)	8CH 720P AHD Camera, 8CH 960H Analog Camera, 4CH 720P AHD Camera + 4CH 720P IP Camera, 2CH 1080P IP Camera + 2CH 720P IP Camera, 8CH 720P IP Camera
	Simultaneous Remote Viewers	6 Users Online
	Operating Temperature	0°C ~ 55°C
Operating Humidity	10% ~ 90%	
Dimension	330*250*55mm	
Weight	2.10 KGS	
USB Mouse	YES	
HDD Screw	8 PCS (1 Pack) - 2 x HDD	
Quick Start Guide (QSG)	YES	
Power Supply	DC12V/4A Switching Power Adapter (included Power Cord)	
Package	5pcs/ctn (457 x 455 x 308mm/carton)	

8-CH AHD DVR

1080P



Main Features

- HD iDVR Three in one: DVR / HVR / NVR features 3-in-1, multi-mode input, support four analog video encoding, support for
- high-definition video mixing analog inputs + network support pure HD network video input.
- Step on the Internet: With XM cloud service, easy to achieve a variety of network penetrations ,one step to remote monitoring, getting rid of various complicated network settings, easy and simple to operate.
Compression algorithm ideal: H.264 High Profile compression algorithm,30% decrease of stream due to advanced space-time filtering technology.
- Playback quality: Supports full real-time encoding video, full real-time playback of multi-channel synchronous decoding.
- Main and Sub Stream: Main stream and Sub-stream encoding. Main stream for local storage, ensure image quality; Sub-stream for real-time network transmission, easy to solve bandwidth bottleneck problem.
- Mobile monitor: Support various mobile monitoring (iPhone, Windows Mobile, BlackBerry, Symbian, Android)
- Display: support VGA, HDMI HD output.
- Operation interface: Similar to Windows operating style, easy to get started with powerful mouse right-click function.
- Network: Powerful network services (support DHCP, PPPOE, FTP, DNS, DDNS, EMAIL,IP searches etc.) And perfect support (WEB, Client, SDK), easy to achieve interoperability.
- Browsers: Support IE、 Chrome、 Firefox、 Safari browsers.
- Remote Access: 3322 (Greek network), dyndns, oray (peanut shells), myq-see and other Domain Name Services are also provided.
- Differentiation: Boot screen free replacement, more than twenty languages, over 10 sets of GUI interface, ten kinds of remote control, which make our products different from others.
- Others: With unique black box technology, the whole process can be monitored, which greatly reduces maintenance costs.

Technical Features



	Model	AIS-5810DVR
System	Main processor	H13531
Video	Video compression	H.264(High Profile)
	Encode capacity	8* 1080P@12fps/8*720P Real-time
	Decode capacity	8* 1080P@12fps/8*720P Real-time
	Multi-mode input	Pure analog: 8* AHD-MH 4* AHD-H 8* AHD-M pure network: 4*1080P; 1*1080P+8*720P; 20*960H; analog + network: 2*AHD-H (analog)+2*1080p (network); 8*AHD-M(analog)+8*720P(network)
Audio	Audio compression	G.711A
	Intercom	support
Record & playback	Record mode	manual>alarm>motion detection>timing
	Playback	8ch
Storage & backup	Space occupation	Video:1080P ~40G/day* channel;720P ~30G/day* channel; 960H 12~ 20G / day * channel; Audio: 691.2M / day * channel
	Backup mode	Network, U-disk, USB burner, SATA burner
Interface	Video input	8ch BNC
	Video output	1ch VGA, 1ch HDMI
	Audio input	4ch RCA
	Audio output	1ch RCA
	Network interface	RJ45 10M/100M
	PTZ control	1*RS485, Support multiple PTZ protocols
	USB	2* USB 2.0
	HDD	2*SATA port(Max 4TB/per)
Wireless	3G, WIFI (extension via USB)	
other	Power supply	12V/4A

16-CH AHD DVR

960P



Main Features

- HD iDVR Three in one: DVR / HVR / NVR features 3-in-1, multi-mode input, support four analog video encoding, support for high-definition video mixing analog inputs + network support pure HD network video input.
- Step on the Internet: With XM cloud service, easy to achieve a variety of network penetrations ,one step to remote monitoring, getting rid of various complicated network settings, easy and simple to operate.
Compression algorithm ideal: H.264 High Profile compression algorithm,30% decrease of stream due to advanced space-time filtering technology.
- Playback quality: Supports full real-time encoding video, full real-time playback of multi-channel synchronous decoding.
- Main and Sub Stream: Main stream and Sub-stream encoding. Main stream for local storage, ensure image quality; Sub-stream for real-time network transmission, easy to solve bandwidth bottleneck problem.
- Mobile monitor: Support various mobile monitoring (iPhone, Windows Mobile, BlackBerry, Symbian, Android)
- Display: support VGA, HDMI HD output.
- Operation interface: Similar to Windows operating style, easy to get started with powerful mouse right-click function.
- Network: Powerful network services (support DHCP, PPPOE, FTP, DNS, DDNS, EMAIL,IP searches etc.) And perfect support (WEB, Client, SDK), easy to achieve interoperability.
- Browsers: Support IE、Chrome、Firefox、Safari browsers.
- Remote Access: 3322 (Greek network), dyndns, oray (peanut shells), myq-see and other Domain Name Services are also provided.
- Differentiation: Boot screen free replacement, more than twenty languages, over 10 sets of GUI interface, ten kinds of remote control, which make our products different from others.
- Others: With unique black box technology, the whole process can be monitored, which greatly reduces maintenance costs.

Technical Features



Model No.		AIS-1696DVR
System	Video Compression Format	H.264
	Main Processor	H3520D V200 + NVP 1918C/6114
	Video System	NTSC / PAL
	Operation System	Embedded Linux
	AHD Signal System	AHD-L (960H) / AHD-M (720P) (Analog High Definition)
Video	Video Input	16CH BNC
	Video Output	1 x VGA / 1 x HDMI (1920* 1080)
	Video Distance	75-3 cable up to 500 Meters Transmission
Audio	Audio Input	2CH RCA
	Audio Output	1CH RCA
	Bidirectional Talk	YES
Recording	Recording Channel	16CH 720P Real Time, 16CH 960H Real Time
	Resolution	NTSC - D1 (704 x 480) / 960H (960 x 480) / 720P (1280 x 720) PAL - D1 (704 x 576) / 960H (960 x 576) / 720P (1280 x 720)
	Frame Rate	NTSC 30fps / PAL 25fps
	Recording Mode	Manual / Alarm / Motion Detection / Continuous
Playback	Playback Channel	4CH 720P Real Time, 8CH 960H Real Time
	Search Mode	Time / Date / Alarm / Motion Detection / Exact Search
	Playback Mode	Normal Play / Fast Forward / Fast Rewind / Frame by Frame
	Playback Software	General H.264 Player V1.7.0.
Alarm	Alarm Input	N/A
	Alarm Output	N/A
Storage	HDD Interface	2 x SATA Fixed HDD
	Capability	SATA HDD up to 4TB each
Backup	USB Disk	3 x USB 2.0 port
	SNAP Image	NO
	Backup Format	H.264 (only for Playback Software - General H.264 Player V1.7.0.)
	Backup Mode	Network download / Flash USB / movable HDD/SATA HDD / DVD-RW
PTZ	PTZ	1 x RS485
	Protocol	PELCO-P / PELCO-D / HY / NEON / PANASONIC / SAMSUNG / PHILIPS / SANLI SANTACHI / SHARP / SONY / YAAN
Network	Interface	RJ45 port / 10M / 100M / 1,000Mbps Ethernet
	Protocol	TCP/IP, DHCP, DDNS, DNS, PPPoE, UPNP, NTP, SMTP
Others	CMS Program	General_CMS_Eng_V3.0.7.7.T (up to 500 Video channels Platform)
	Mobile Phone Support	iPhone / iPad, Android, BlackBerry, Symbian, Windows Mobile Pro
	Computer System Support	Windows 2000, XP, Vista, 7, 8 / Mac OS x 10.6/10.7
	Compatible Browser	Google Chrome, Internet Explorer (IE11), Mozilla Firefox, Safari (Mac)
	3G/WIFI	3G/WIFI USB Dongle (Plug-and-Play)
	Free DDNS (P2P)	P2P Function via iCloud server (http://www.xmeye.net)
	IP Camera Protocol	ONVIF 2.3 Version Platform Protocol (IP Camera)
	Channel Type (Digital Menu)	16CH 720P AHD Camera, 16CH 960H Analog Camera, 4CH 720P AHD Camera + 4CH 720P IP Camera, 4CH 1080P IP Camera, 1CH 1080P IP Camera + 8CH 720P IP Camera
	Simultaneous Remote Viewers	6 Users Online
	Operating Temperature	0°C ~ 55°C
Operating Humidity	10% ~ 90%	
Dimension	330*250*55mm	
Weight	2.10 KGS	
USB Mouse	YES	
HDD Screw	8 PCS (1 Pack) - 2 x HDD	
Quick Start Guide (QSG)	YES	
Power Supply	DC12V/4A Switching Power Adapter (included Power Cord)	
Package	5pcs/ctn (457 x 455 x 308mm/carton)	

16-CH AHD DVR

1080P



Main Features

- HD iDVR Three in one: DVR / HVR / NVR features 3-in-1, multi-mode input, support four analog video encoding, support for high-definition video mixing analog inputs + network support pure HD network video input.
- Step on the Internet: With XM cloud service, easy to achieve a variety of network penetrations, one step to remote monitoring, getting rid of various complicated network settings, easy and simple to operate.
Compression algorithm ideal: H.264 High Profile compression algorithm, 30% decrease of stream due to advanced space-time filtering technology.
- Playback quality: Supports full real-time encoding video, full real-time playback of multi-channel synchronous decoding.
- Main and Sub Stream: Main stream and Sub-stream encoding. Main stream for local storage, ensure image quality; Sub-stream for real-time network transmission, easy to solve bandwidth bottleneck problem.
- Mobile monitor: Support various mobile monitoring (iPhone, Windows Mobile, BlackBerry, Symbian, Android)
- Display: support VGA, HDMI HD output.
- Operation interface: Similar to Windows operating style, easy to get started with powerful mouse right-click function.
- Network: Powerful network services (support DHCP, PPPOE, FTP, DNS, DDNS, EMAIL, IP searches etc.) And perfect support (WEB, Client, SDK), easy to achieve interoperability.
- Browsers: Support IE, Chrome, Firefox, Safari browsers.
- Remote Access: 3322 (Greek network), dyndns, oray (peanut shells), myq-see and other Domain Name Services are also provided.
- Differentiation: Boot screen free replacement, more than twenty languages, over 10 sets of GUI interface, ten kinds of remote control, which make our products different from others.
- Others: With unique black box technology, the whole process can be monitored, which greatly reduces maintenance costs.

Technical Features



	Model	AIS-1610DVR
System	Main processor	Hi3531+Hi3532
	Operating system	embedded Linux
	System resources	Simultaneously multi-channel real-time recording, playback, network operation, USB backup
Interface	Operator interface	support 16-bit true color graphical menu interface and mouse operation
	Preview	1/4/8/9/16
Video	Codec	H.264
	Monitor quality	VGA,HDMI: HD
	Playback quality	AHD-H/AHD-M/D1
	Encode ability	16* AHD-H@ 12fps
	Decode ability	8* AHD-H@12fps
	Multi-mode input	analog: 16* AHD-H; 16* AHD-M; hybrid: 4* 720P (analog) + 4* 720P (network) 2* 1080P (analog) + 2* 1080P (network) Network only: 8* 720P + 1* 1080P; 4* 1080P; 20* 960H; Motion Detection Each screen can be set to 192 (16 * 12) detection areas; multi-level sensitivity can be set (Limited local channel)
Audio	Audio compression	G711A
	Intercom	support
Record & playback	Record mode	manual>alarm>motion detection>timing
	Local Playback	8ch(local input mode)
	Search mode	Search by time, calendar, event, channel
Storage & backup	Space occupation	1080P 20~30G/ day* channel; 720P ~20G/ day* channel; 960H 12~20G/ day* channel; audio: 691.2M/ day* channel
	Video storage	HDD, network
	Backup mode	Network, USB hard disk, USB burner, SATA burner
External Interface	Video input	16ch BNC
	Video output	1ch VGA, 1ch HDMI
	Audio input	16ch RCA
	Audio output	1ch RCA
	Alarm input	8ch
	Alarm output	1ch
	Network interface	RJ45 10M/100M/1000M
	PTZ control	1* RS485, 1* RS232, Support kinds of PTZ protocols
	USB	2* USB 2.0 ports
	HDD	2* SATA ports (Max 6TB/per)
Wireless	3G, WIFI (extend via USB)	
General	Power supply	12V/4A
	Power Consumption	<15W (without HDD)
	Temperature	0°C- + 55°C
	Humidity	10% 90%
	Working environment	86kpa—106kpa

32-CH AHD DVR

1080P



Main Features

- HD iDVR Three in one: DVR / HVR / NVR features 3-in-1, multi-mode input, support four analog video encoding, support for
- high-definition video mixing analog inputs + network support pure HD network video input.
- Step on the Internet: With XM cloud service, easy to achieve a variety of network penetrations ,one step to remote monitoring, getting rid of various complicated network settings, easy and simple to operate.
Compression algorithm ideal: H.264 High Profile compression algorithm,30% decrease of stream due to advanced space-time filtering technology.
- Playback quality: Supports full real-time encoding video, full real-time playback of multi-channel synchronous decoding.
- Main and Sub Stream: Main stream and Sub-stream encoding. Main stream for local storage, ensure image quality; Sub-stream for real-time network transmission, easy to solve bandwidth bottleneck problem.
- Mobile monitor: Support various mobile monitoring (iPhone, Windows Mobile, BlackBerry, Symbian, Android)
- Display: support VGA, HDMI HD output.
- Operation interface: Similar to Windows operating style, easy to get started with powerful mouse right-click function.
- Network: Powerful network services (support DHCP, PPPOE, FTP, DNS, DDNS, EMAIL,IP searches etc.) And perfect support (WEB, Client, SDK), easy to achieve interoperability.
- Browsers: Support IE、 Chrome、 Firefox、 Safari browsers.
- Remote Access: 3322 (Greek network), dyndns, oray (peanut shells), myq-see and other Domain Name Services are also provided.
- Differentiation: Boot screen free replacement, more than twenty languages, over 10 sets of GUI interface, ten kinds of remote control, which make our products different from others.
- Others: With unique black box technology, the whole process can be monitored, which greatly reduces maintenance costs.

Technical Features



	Model	AIS-3296DVR
System	Main processor	Hi3531+Hi3532
	Operating system	embedded Linux
	System resources	Simultaneously multi-channel real-time recording, playback, network operation, USB backup
Interface	Operator interface	support 16-bit true color graphical menu interface and mouse operation
	Preview	1/4/8/9/16
Video	Codec	H.264
	Monitor quality	VGA,HDMI: HD
	Playback quality	AHD-H/AHD-M/D1
	Encode ability	16* AHD-H@ 12fps
	Decode ability	8* AHD-H@12fps
Video	Multi-mode input	analog: 16* AHD-H; 16* AHD-M; hybrid: 4* 720P (analog) + 4* 720P (network) 2* 1080P (analog) + 2* 1080P (network) Network only: 8* 720P+1* 1080P; 4* 1080P; 20* 960H;
	Motion Detection	Each screen can be set to 192 (16 * 12) detection areas; multi-level sensitivity can be set. (Limited local channel)
Audio	Audio compression	G711A
	Intercom	support
Record & playback	Record mode	manual>alarm>motion detection>timing
	Local Playback	8ch(local input mode)
	Search mode	Search by time, calendar, event, channel
Storage & backup	Space occupation	1080P 20~30G/ day* channel; 720P ~20G/ day* channel; 960H 12~20G/ day* channel; audio: 691.2M/ day*channel
	Video storage	HDD, network
	Backup mode	Network, USBhard disk, USB burner, SATAbumer
	Video input	16ch BNC
External Interface	Video output	1ch VGA, 1ch HDMI
	Audio input	16ch RCA
	Audio output	1ch RCA
	Alarm input	8ch
	Alarm output	1ch
	Network interface	RJ45 10M/100M/1000M
	PTZ control	1*RS485, 1*RS232,Support kinds of PTZ protocols
	USB	2* USB 2.0 ports
	HDD	2*SATA ports (Max 6TB/per)
	Wireless	3G,WIFI(extend via USB)
General	Power supply	12V/4A
	Power Consumption	<15W (without HDD)
	Temperature	0°C- + 55°C
	Humidity	10% 90%
	Working environment	86kpa—106kpa



IP CAMERA

STATE OF THE ART HIGH DEFINITION

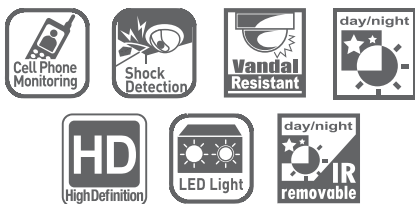


Alco IP Series is designed in any environment because they are manageable and simple to install. Our complete IP range can satisfy the most sophisticated needs of video surveillance



IP Outdoor Camera

1080P 2.0MP



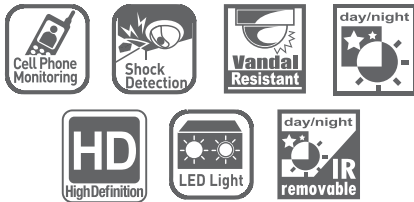
Specifications	AIS-IP632MV (POE Type)
Image Compression Format	H.264
Image sensor	SONY IMX 322 CMOS
Lens	2 Mega pixel lens
Mini illumination	0.6Lux@ F1.2 (color), 0.08 Lux@ F1.2 (B/W)
Vedio resolutions	1920* 1080
Frame rate	25/30 FPS
streams	0.1Mbps – 8 Mbps
Motion Detect	Yes
Alarm Event	Email / Picture
IR-CUT	yes
Lens	2.8- 12mm 2 Mega pixels
IR Range	30 meters IR distance
Double streams	Support
Safety	Password protection, User management system
Network Interface	RJ-45 10-100 Base T
Network Protocol	TCP/UDP/IP/HTTP/RTSP/FTP/PPPOE/DHCP/DDNS/NTP/UPnP
ONVIF	Support
Working Condition	0°C – 45°C (32°F – 133°F) , 10% - 90%PH
power	Output:12VDC/1A; Input:100–240VAC, 50–60Hz

Main Features

- IP Waterproof Camera
- SONY IMX322 CMOS
- HI silicon Hi3516C High performance DSP
- H.264 video compression, support dual stream
- Board Lens 3.6mm 2 Mega pixels
- Built-in Web Server makes it possible for users to visit camera through IE browser,
- Adjust the stream and frame rate according to the bandwidth
- Support motion detection
- Support self-connection to the internet when disconnection happens
- Support 8 users to visit the camera at the same time
- Support remote system upgrade function
- Compatible SDK and client software
- Support IR-CUT
- Support ONVIF
- Support POE

IP Outdoor Camera

1080P 2.0MP



Specifications	AIS-IP642M (POE Type)
Image Compression Format	H.264
Image sensor	SONY IMX 322 CMOS
Lens	2 Mega pixel lens
Mini illumination	0.6Lux@ F1.2 (color), 0.08 Lux@ F1.2 (B/W)
Vedio resolutions	1920* 1080
Frame rate	25/30 FPS
streams	0.1Mbps – 8 Mbps
Motion Detect	Yes
Alarm Event	Email / Picture
IR-CUT	yes
Lens	4mm 2 Mega pixels
IR Range	40 meters IR distance
Double streams	Support
Safety	Password protection, User management system
Network Interface	RJ-45 10-100 Base T
Network Protocol	TCP/UDP/IP/HTTP/RTSP/FTP/PPPOE/DHCP/DDNS/NTP/UPnP
ONVIF	Support
Working Condition	0°C – 45°C (32°F – 133°F) , 10% - 90%PH
power	Output:12VDC/1A; Input:100–240VAC, 50–60Hz

Main Features

- IP Waterproof Camera
- SONY IMX322 CMOS
- HI silicon Hi3516C High performance DSP
- H.264 video compression, support dual stream
- Board Lens 3.6mm 2 Mega pixels
- Built-in Web Server makes it possible for users to visit camera through IE browser,
- Adjust the stream and frame rate according to the bandwidth
- Support motion detection
- Support self-connection to the internet when disconnection happens
- Support 8 users to visit the camera at the same time
- Support remote system upgrade function
- Compatible SDK and client software
- Support IR-CUT
- Support ONVIF
- Support POE



4-CH AHD DVR

1080P



Main Features

- Support multiple high-definition network camera access
- Support VGA, HDMI 1080P full HD output simultaneously
- Support GB28181 & Onvif
- Supporting web, CMS, center platform management software MYEYE, provide SDK development
- Supports multiple cloud technology, network penetration, alarm information pushed to your phone and other functions
- Support multiple network services (support DHCP, FTP, DNS, DDNS, NTP, UPNP, EMAIL, 3G, WIFI, IP searches, Alarm Center, etc.)

Technical Features



Model		AIS-4108NVR
System	Video Compression Format	H.264
	Main Processor	H13520D
	Video System	NTSC / PAL
	Operation System	Embedded Linux
Video	Video Input	4CH 1080P
	Video Output	1 x VGA / 1 x BNC / 1 x HDMI (1920*1080)
Audio	Audio Input	NO
	Audio Output	1CH RCA
Recording	Recording Channel	4CH 1080P Real Time
	Resolution	NTSC - 1080P (1920 x 1080) / 960P (1280 x 960) / 720P (1280 x 720)
		PAL - 1080P (1920 x 1080) / 960P (1280 x 960) / 720P (1280 x 720)
Recording Mode	Manual / Alarm / Video Detection / Continuous	
Playback	Playback Channel	1CH 1080P Real Time
	Search Mode	Time / Date / Alarm / Motion Detection / Exact Search
	Playback Mode	Normal Play / Fast Forward / Fast Rewind / Frame by Frame
	Playback Software	General H.264 Player V1.7.0.
Storage	HDD Interface	2 x SATA Fixed HDD
	Capability	SATA HDD up to 4TB each
Backup	USB Disk	3 x USB 2.0 port
	Backup Format	H.264 (only for Playback Software - General H.264 Player V1.7.0.)
	Backup Mode	Network download / Flash USB / movable HDD/SATA HDD / DVD-RW
Network	Interface	RJ45 port / 10M / 100M / 1,000Mbps Ethernet
	Protocol	TCP/IP, DHCP, DDNS, DNS, PPPoE, UPNP, NTP, SMTP
	CMS Program	General_CMS_Eng_V3.0.7.7.T (up to 128 Video channels Platform)
	Mobile phone Support	iPhone / iPad, Android, BlackBerry, Symbian, Windows Mobile Pro
	Computer System Support	Windows 2000, XP, Vista, 7, 8 / Mac OS x 10.6/10.7
	Compatible Browser	Google Chrome, Internet Explorer, Mozilla Firefox, Safari
	3G/WIFI	USB Dongle 3G/WIFI (Plug-and-Play)
	Free DDNS	iCloud Free DDNS Server (P2P)
	IP Camera Protocol	ONVIF 2.0 / 2.2 Version Platform Protocol
	Simultaneous Remote Viewers	6 Users Online
Others	Operating Temperature	0°C ~ 55°C

8-CH AHD DVR

1080P



Main Features

- Support multiple high-definition network camera access
- Support VGA, HDMI 1080P full HD output simultaneously
- Support GB28181 & Onvif
- Supporting web, CMS, center platform management software MYEYE, provide SDK development
- Supports multiple cloud technology, network penetration, alarm information pushed to your phone and other functions
- Support multiple network services (support DHCP, FTP, DNS, DDNS, NTP, UPNP, EMAILI, 3G, WIFI, IP searches, Alarm Center, etc.)

Technical Features



Model		AIS-8108NVR
System	Video Compression Format	H.264
	Main Processor	H13520D
	Video System	NTSC / PAL
	Operation System	Embedded Linux
Video	Video Input	8CH 1080P
	Video Output	1 x VGA / 1 x BNC / 1 x HDMI (1920*1080)
Audio	Audio Input	NO
	Audio Output	1CH RCA
Recording	Recording Channel	4CH 1080P Real Time
	Resolution	NTSC - 1080P (1920 x 1080) / 960P (1280 x 960) / 720P (1280 x 720)
		PAL - 1080P (1920 x 1080) / 960P (1280 x 960) / 720P (1280 x 720)
Recording Mode	Manual / Alarm / Video Detection / Continuous	
Playback	Playback Channel	1CH 1080P Real Time
	Search Mode	Time / Date / Alarm / Motion Detection / Exact Search
	Playback Mode	Normal Play / Fast Forward / Fast Rewind / Frame by Frame
	Playback Software	General H.264 Player V1.7.0.
Storage	HDD Interface	2 x SATA Fixed HDD
	Capability	SATA HDD up to 4TB each
Backup	USB Disk	3 x USB 2.0 port
	Backup Format	H.264 (only for Playback Software - General H.264 Player V1.7.0.)
	Backup Mode	Network download / Flash USB / movable HDD/SATA HDD / DVD-RW
Network	Interface	RJ45 port / 10M / 100M / 1,000Mbps Ethernet
	Protocol	TCP/IP, DHCP, DDNS, DNS, PPPoE, UPNP, NTP, SMTP
	CMS Program	General_CMS_Eng_V3.0.7.7.T (up to 128 Video channels Platform)
	Mobile phone Support	iPhone / iPad, Android, BlackBerry, Symbian, Windows Mobile Pro
	Computer System Support	Windows 2000, XP, Vista, 7, 8 / Mac OS x 10.6/10.7
	Compatible Browser	Google Chrome, Internet Explorer, Mozilla Firefox, Safari
	3G/WIFI	USB Dongle 3G/WIFI (Plug-and-Play)
	Free DDNS	iCloud Free DDNS Server (P2P)
	IP Camera Protocol	ONVIF 2.0 / 2.2 Version Platform Protocol
	Simultaneous Remote Viewers	6 Users Online
Others	Operating Temperature	0°C ~ 55°C
	Operating Humidity	10% ~ 90%
	Dimension	300*235*45mm
	Weight	2.40 KGS
	USB Mouse	YES
	CD Software Disk	YES
	Power Supply	DC12V/4A Power Adapter

16-CH AHD DVR

1080P



Technical Features



	Model	AIS-1610NVR
System	Main processor	Hi 3535
	Operating System	Embedded
	System Resources	Simultaneous multi-channel real-time recording, playback,
Operator interface	Operator interface	16-bit true color graphic menu operation interface, support
	Preview	1/4/8/16/24/3
Video	Video standards	PAL(625TVL,50f/s); NTSC(525TVL,60f/s)
	Video compression	H.264(Main Profile)
	Display quality	VGA, HD MI:
	Playback quality	5M/3M/1080P/960
	Recording	16*3MP
	Motion detection	Support
	Audio compression	G.711a
Record	intercom	Support
	Recording mode	Manual>Alarm>Video Detection>Continuous
Storage	Local Playback	2*5M/4*3M/4*1080P/8*960P real-time
	Search mode	search by Time/calendar/event/channel
	Space Occupation	video: CIF 4~5G/ day*channel, D1 8~10G/ day*channel, 1080P ~40G/ day*channel; audio: 691.2M/ day*channel
Interface	Record Storage	HDD or network
	Backup mode	Network backup, USB hard disk, USB burner, SATA burner
	Video input (IP)	8*5M/16*3M/24*1080P/32*960P
	Video output	1ch VGA, 1ch HDMI HD
	Video input (BNC)	N/A
	Audio I/O	1/1
	Alarm I/O	0/0
	Network interface	1*RJ45
	PTZ control	1*RS485, Supports 18 kinds of PTZ protocol
	USB interface	2*USB 2.0
Other	Hard disk	3*SATA (Single maximum support 4T)
	ONVIF	Support
	Power supply	12V/4A or 12V/5A
	Power Consumption	<10W (Without HDD)
	Temperature	0°C - +55°C
	Humidity	10% - 90%
	Atm	86kpa 106kpa
	dimension	mm(H)* mm(W)
weight	2.40 KGS	

Main Features

- Support multiple high-definition network camera access
- Support VGA, HDMI 1080P full HD output simultaneously
- Support GB28181 & Onvif
- Supporting web, CMS, center platform management software MYEYE, provide SDK development
- Supports multiple cloud technology, network penetration, alarm information pushed to your phone and other functions
- Support multiple network services (support DHCP, FTP, DNS, DDNS, NTP, UPNP, EMAIL, 3G, WIFI, IP searches, Alarm Center, etc.)

24-CH AHD DVR

1080P



Main Features

- Support multiple high-definition network camera access
- Support VGA, HDMI 1080P full HD output simultaneously
- Support GB28181 & Onvif
- Supporting web, CMS, center platform management software MYEYE, provide SDK development
- Supports multiple cloud technology, network penetration, alarm information pushed to your phone and other functions
- Support multiple network services (support DHCP, FTP, DNS, DDNS, NTP, UPNP, EMAIL, 3G, WIFI, IP searches, Alarm Center, etc.)

Technical Features



	Model	AIS-2410NVR
System	Main processor	Hi 3535
	Operating System	Embedded
	System Resources	Simultaneous multi-channel real-time recording, playback,
Operator interface	Operator interface	16-bit true color graphic menu operation interface, support
	Preview	1/4/8/16/24/3
Video Audio	Video standards	PAL(625TVL,50f/s); NTSC(525TVL,60f/s)
	Video compression	H.264(Main Profile)
	Display quality	VGA,HDMI, HD
	Playback quality	5M/3M/1080P/960/720P
	Recording	24*1080P
	Motion detection	Support
	Audio compression	G.711a
	intercom	Support
Record	Recording mode	Manual>Alarm>Video Detection>Continuous
Storage	Local Playback	2*5M/4*3M/4*1080P/8*960P real-time
	Search mode	search by Time/calendar/event/channel
	Space Occupation	video: CIF 4~5G/ day*channel, D1 8~10G/ day*channel, 1080P ~40G/ day*channel; audio: 691.2M/ day*channel
Interface	Record Storage	HDD or network
	Backup mode	Network backup, USB hard disk, USB burner, SATA burner
	Video input (IP)	8*5M/16*3M/24*1080P/32*960P
	Video output	1ch VGA, 1ch HDMI HD
	Video input (BNC)	N/A
	Audio I/O	1/1
	Alarm I/O	0/0
	Network interface	1*RJ45
	PTZ control	1*RS485, Supports 18 kinds of PTZ protocol
	USB interface	2*USB 2.0
Other	Hard disk	3*SATA (Single maximum support 4T)
	ONVIF	Support
	Power supply	12V/4A or 12V/5A
	Power Consumption	<10W (Without HDD)
	Temperature	0°C - +55°C
	Humidity	10% - 90%
	Atm	86kpa - 106kpa
	dimension	mm(H) * mm(W)
weight	2.40 KGS	

32-CH AHD DVR

1080P



Main Features

- Support multiple high-definition network camera access
- Support VGA, HDMI 1080P full HD output simultaneously
- Support GB28181 & Onvif
- Supporting web, CMS, center platform management software MYEYE, provide SDK development
- Supports multiple cloud technology, network penetration, alarm information pushed to your phone and other functions
- Support multiple network services (support DHCP, FTP, DNS, DDNS, NTP, UPNP, EMAIL, 3G, WIFI, IP searches, Alarm Center, etc.)

Technical Features



	Model	AIS-3210NVR
System	Main processor	Hi 3535
	Operating System	Embedded
	System Resources	Simultaneous multi-channel real-time recording, playback,
Operator interface	Operator interface	16-bit true color graphic menu operation interface, support
	Preview	1/4/8/16/24/3
Video	Video standards	PAL(625TVL,50f/s); NTSC(525TVL,60f/s)
	Video compression	H.264(Main Profile)
	Display quality	VGA,HDMI, HD
	Playback quality	5M/3M/1080P/960/720P
	Recording	32*960P
	Motion detection	Support
	Audio compression	G.711a
Record	intercom	Support
	Recording mode	Manual>Alarm>Video Detection>Continuous
Storage &	Local Playback	2*5M/4*3M/4*1080P/8*960P real-time
	Search mode	search by Time/calendar/event/channel
	Space Occupation	video: CIF 4~5G/ day*channel, D1 8~10G/ day*channel, 1080P ~40G/ day*channel; audio: 691.2M/ day*channel
Interface	Record Storage	HDD or network
	Backup mode	Network backup, USB hard disk, USB burner, SATA burner
	Video input (IP)	8*5M/16*3M/24*1080P/32*960P
	Video output	1ch VGA, 1ch HDMI HD
	Video input (BNC)	N/A
	Audio I/O	1/1
	Alarm I/O	0/0
	Network interface	1*RJ45
	PTZ control	1*RS485, Supports 18 kinds of PTZ protocol
	USB interface	2*USB 2.0
Other	Hard disk	3*SATA (Single maximum support 4T)
	ONVIF	Support
	Power supply	12V/4A or 12V/5A
	Power Consumption	<10W (Without HDD)
	Temperature	0°C - +55°C
	Humidity	10% - 90%
	Atm	86kpa - 106kpa
dimension	mm(H)* mm(W)	
weight	2.40 KGS	



San Carlos Business and Technology Park,
Industrial Road, CA 94070 - USA
Email us at enquiry@alcosolutions.net
Web: www.alcosolutions.net