



**CFS-MCP300 SERIES
CONVENTIONAL -
FIRE ALARM CALL POINT**

| USER MANUAL

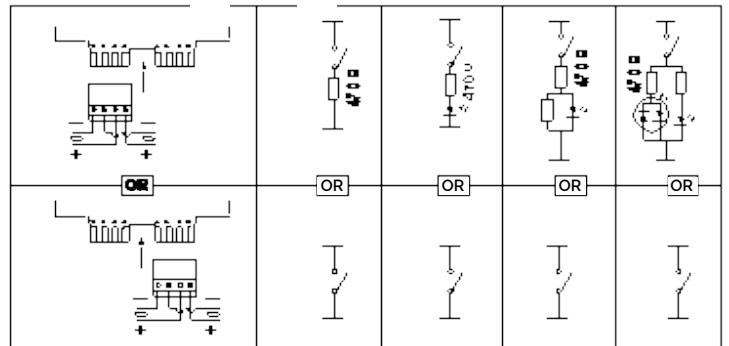
CAUTIONS

- **ELECTRICAL HAZARD:** Disconnect power from equipment prior to making any internal adjustments.
- Service should only be performed by qualified personnel.
- **FRAGILE:** Inspect the equipment prior to installation.
- Do not install the equipment if damage is apparent.
- Do not attempt to disassemble this equipment.
- If damaged, return to the supplier.
- **ELECTROSTATIC HAZARD:** This is sensitive electronic equipment.
- Apply safe ant-static practices when handling this equipment.
- **CIRCUIT LIMITATIONS:** The maximum number of devices connected to a single alarm zone is limited by the control and indicating equipment, and may be limited by local regulations.



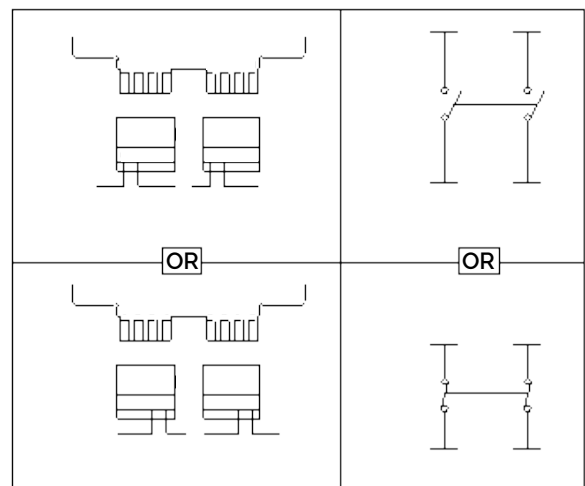
INTRODUCTION

- CFS-MCP300 manual call points connect to non addressable fire detection control and indicating equipment, or to addressable fire detection control and indicating equipment that can accept non addressable devices .
- These instructions provide trained installation guide to personnel with details to install and commission MCP300 manual call points for optimum performance.



PREPARATION

- Before commencing installation, ensure all equipment and tools to mount and connect the equipment are available, such as drills, mounting screws, cables and ladders.
- **NOTE:** The unit comes separated from the back-box, ready for installation. However, if necessary, separate the front face from the body by inserting the reset key and gently pulling the lower portion of the front face down and away from the body. Removing the operating element will expose the screws that hold the body to the back-box.



INSTALLATION

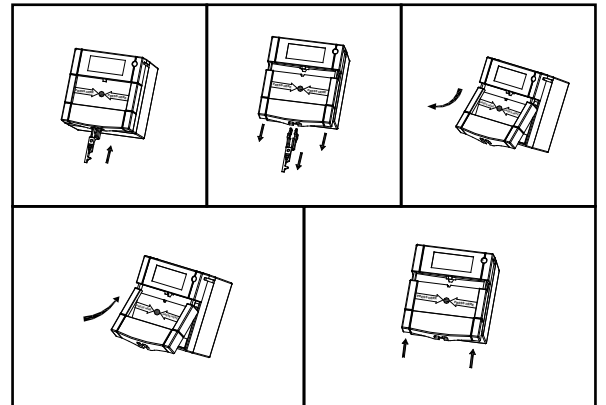
- **Back-box:** Feed the conductors through the rear of the back-box.
- Securely mount the back box to the wall surface using fixing screws and wall plugs.
- Check the wiring for continuity, short circuits and earth faults.
- **Wiring:** The terminals accept **(0.4 ~ 2.5) mm²** conductors.
- Strip the conductor insulation to expose **5 mm** of the conductor.
- **Assembly:** Separate the front face from the body by inserting the reset key and gently pulling the lower portion of the front face down and away from the body.
- Screw the body to the back-box with the screws supplied
- Replacing the operating element, clip the front face onto the body. If necessary, set the displacement element to the normal position using the key supplied.

FEATURES:

Operational Voltage	24 VDC
Current	30mA
Output Sound	50 dB
Type	Resettable

COMMISSIONING

- Ensure all the alarm signal services, releasing devices and extinguisher systems are disabled during the commissioning
- Connect power to the manual call point.
- Operate the displacement element with finger pressure.
- Check that an alarm condition occurs at the control and indicating equipment
- MCP300 check that the red alarm LED indicator illuminates.
- Reset the manual call point displacement element to the normal position using the key supplied.
- Reset the control and indicating equipment.

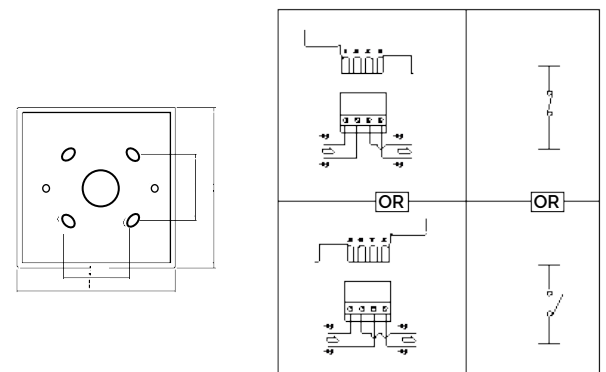


FINAL CONDITIONS

- Ensure all the alarm signal services, releasing devices and extinguisher systems disabled for the commissioning are returned to their previous condition

WARNING:

Take care to ensure the insulation does not get clamped by the terminal contact.





San Carlos Business and Technology Park,
Industrial Road, CA 94070 - USA
Email us at enquiry@alcosolutions.net
Web: www.alcosolutions.net