



SECURITY SOLUTIONS



ABOUT

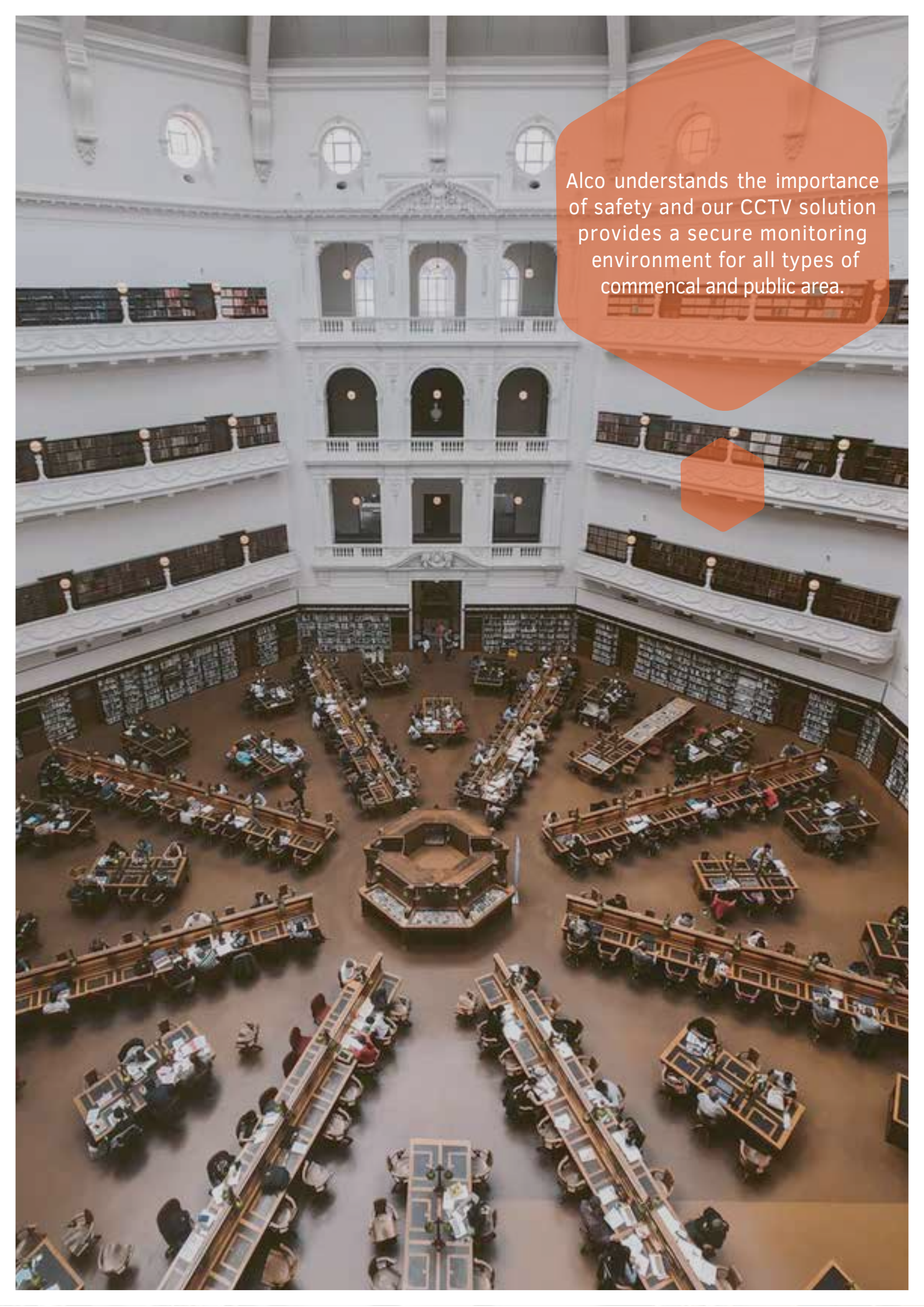
Alco is one of the leading intelligent solution providers of Fire Detection System and Security System in the United States of America. Based in California since 1992, we have grown to deliver the most innovative building management solutions (BMS) for commercial and industrial establishments around the globe.

Alco is committed to deliver effective solutions that can help our customers. Our supplied products are designed to cater our customers in the most effective manner and we take that responsibility very seriously.

Our smart and effective Building Solutions has given us an opportunity to diversify and explore new business opportunity in the market and we are extremely delighted to penetrate successfully in various large and medium scale projects.



Alco Security Solution is widely used to monitor public area to ensure safe and secure environment.

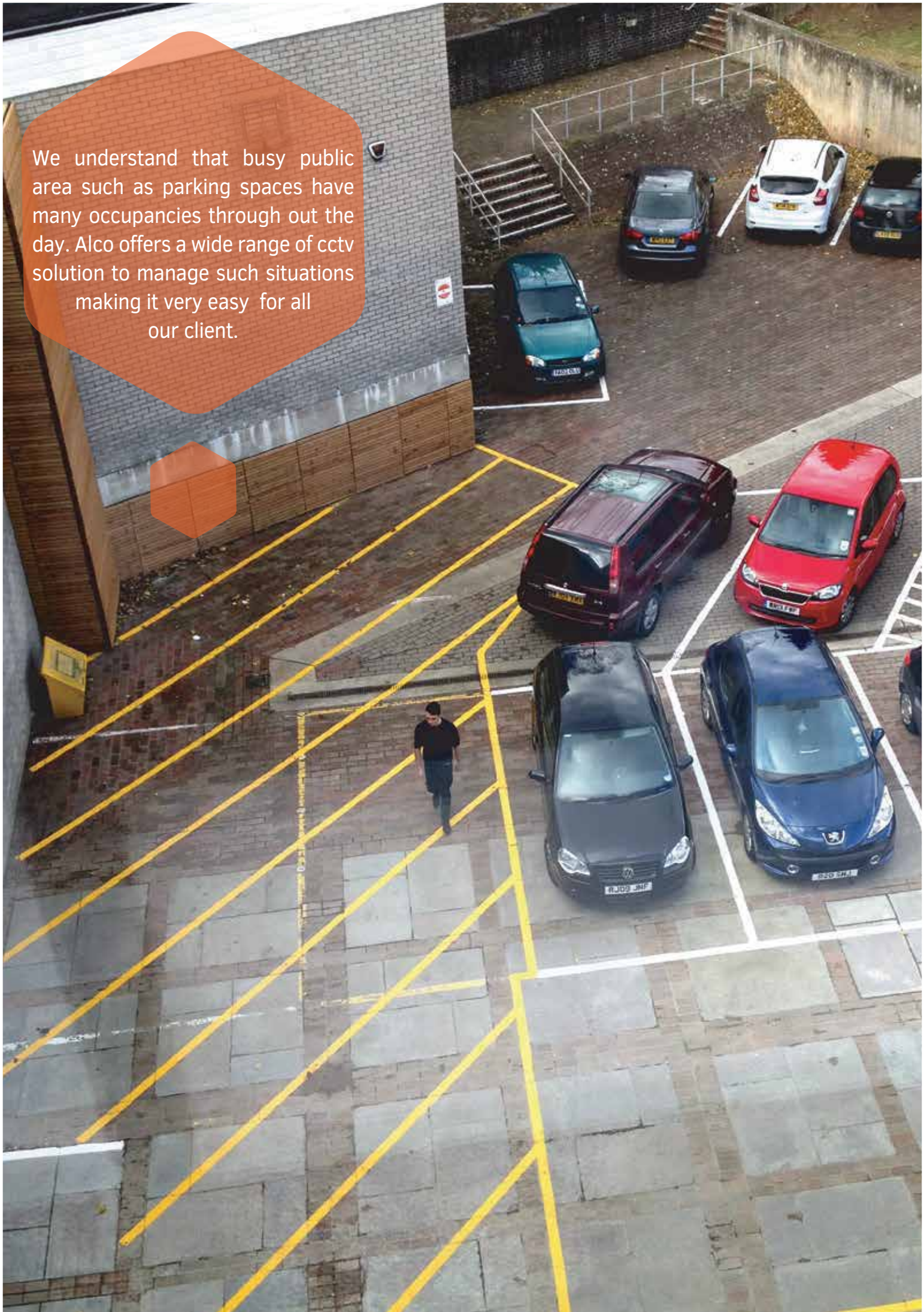
A high-angle photograph of a grand, multi-story library atrium. The central area is filled with long wooden study tables and chairs, with people working. The upper levels feature ornate architectural details, including arched windows and decorative railings. The overall atmosphere is one of a well-maintained, historical academic space.

Also understands the importance of safety and our CCTV solution provides a secure monitoring environment for all types of commenal and public area.



Alco CCTV Solution are widely used in various commercial and private sectors such as corporate offices, restaurant, hospitals, school etc. To provide quality surveillance our solution are also widely used in the residential sector to ensure safety.

We understand that busy public area such as parking spaces have many occupancies through out the day. Alco offers a wide range of cctv solution to manage such situations making it very easy for all our client.



THE NEW T N O C

LITE SERIES

Bullet Lite Camera
Dome Lite Camera

AI LITE SERIES

Bullet AI Lite Camera
Dome AI Lite Camera
Motorized Bullet AI Lite Camera
Auto Focus Motorized Dome AI Lite Camera

PRO SERIES

Pro Dome Camera
Pro Bullet Camera
Motorized Pro Bullet Camera
Auto Focus Motorized Pro Dome Camera

PRO PLUS SERIES

Motorized Pro Plus Dome Camera
Motorized Pro Plus Bullet Camera
Auto Focus Motorized Pro Plus Bullet Camera

PTZ AND PANORAMIC SERIES

PTZ Bullet Camera
PTZ Dome Camera
Speed Dome Camera

Panoramic Dome Camera
Panoramic Fisheye Camera
Panoramic PTZ Dome Camera

AI 5G SERIES

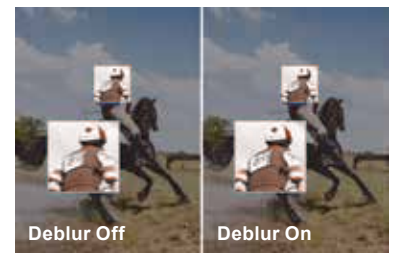

5G AI Pro Bullet Lite Camera

NETWORK VIDEO RECORDER



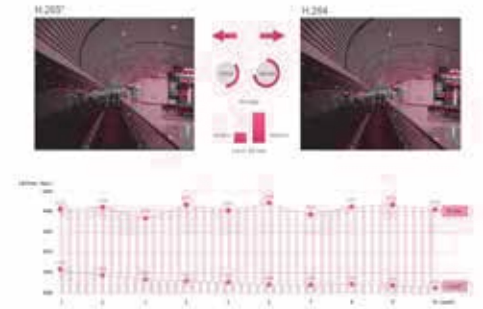

IMAGE QUALITY

- UHD Ultra High Definition**
High Resolution up to 5MP / 4K / 12MP
- 0.001Lux Starlight**
0.001Lux Light
- 3 in 1 Super WDR Pro-140dB**
Combining Three Frames into one to bring more details especially for moving objects
- Smart IR II Technology**
Combining the High Beam and Low Beam and intelligently adjusting IR intensity to fit different lighting conditions
- High-Quality Deblur**
Removing blurring artifacts which caused by motion, providing better images for moving objects
- Defog**
Restoring clear images in hazy and foggy weather
- HLC**
Improving image visibility under strong light sources

EXTRAORDINARY H.265+ COMPRESSION

- H.265+ HEVC H.265+ Compression**
H.265+ codec cuts down 70%~80% bandwidth compared with H.264, while ensuring the high quality of images

INTELLIGENT SMART FUNCTIONS

- License Plate Recognition (LPR/ANPR)**
- VCA Video Content Analysis(VCA)**
- Advanced Heat Map**
- Face Detection**
Automatically identifying human faces





INDUSTRIAL HARDWARE

▶ **Ultra Wide Angle Viewing**
120°/180°/360° Ultra Wide Angle Lens

▶ **Flexible Optical Zoom**
3X to 42X Optical Zoom Lens

▶ **1/1.8" Sensor@36X Model**
Providing starlight image for Alco
Speed Dome Network Camera



VALUE-ADDED ADVANCED FUNCTIONS

FPS **Ultra High Frame Rate**
Up to 120fps High Frame Rate





ROBUST PROTECTIVE CAPABILITY

▶ **IP67&IK10**
IP67-rated Weather Proofing and IK10-rated Vandal Proofing

▶ **EN50155**
Reliable Anti-vibration Certification

▶ **Surge Protection**
Keeping the cameras from lightning strikes and other electrical surges

UNIQUE EASY INSTALLATION DESIGN

▶ **3-Axis Mechanical Design**
For fast and easy adjustment of the camera's viewing angle, allowing to position the camera precisely

▶ **Clamshell Design**
Enlarging the space to make cable connection a piece of cake, greatly saving installation trouble

▶ **Integrated Cable Management**
Several interfaces are integrated in the base for neat installation

▶ **Point-contact Power Supply**
The Point-contact Power Supply Board replaced the traditional way of power supply with cable, freeing the interior space

▶ **Flexible Installation Modes**
Alco offers various installation accessories such as junction box to make it easy to install





CUTTING-EDGE 5G WIRELESS TRANSMISSION

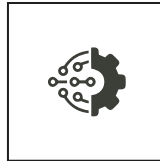
The built-in 5G module makes Alco 5G Alot Camera a truly all-in-one system with higher mobility, supporting 5G network connection and wireless transmission while eliminating extra implement and management compared with add-on routers and easing the complexity of cable and fiber connections.

5G Higher Scalability

Enjoying a high degree of flexibility and scalability, 5G can not only achieve the deployment of a massive number of connected devices but also mission-critical applications. Moreover, 5G will further open up the use cases for edge computing, benefiting video analytics running on the edge to deliver advanced video analytics solutions.

5G Higher Bandwidth & Lower Latency

5G Higher Bandwidth facilitates the video surveillance with ultra-high-definition image quality up to 4K even 8K, meantime, realizes super-fast download and upload speeds. While the Lower Latency boosts camera responsiveness and real-time monitoring with almost no lagging time.

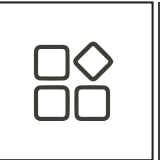


EMERGING IoT TRANSMISSION

Alco embedded LPWAN technology, one of the fastest-growing IoT communication strategies, empowers wireless and relatively long-distance connection with lower power consumption and now, the industry-leading IoT technology via LoRaWAN" is applied in Alco 5G Alot Camera.

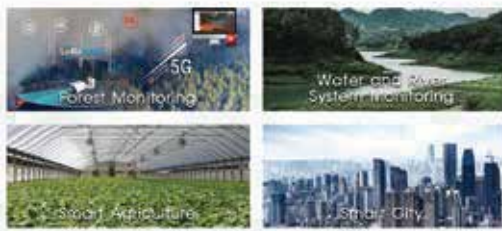
Sufficient Capacity

The sufficient capacity of IoT technology enables Alco 5G Alot Camera to connect potentially millions of devices, covering the integration with billions of IoT devices and realizing the mission critical applications, making a leap from video surveillance to the world of IoT.



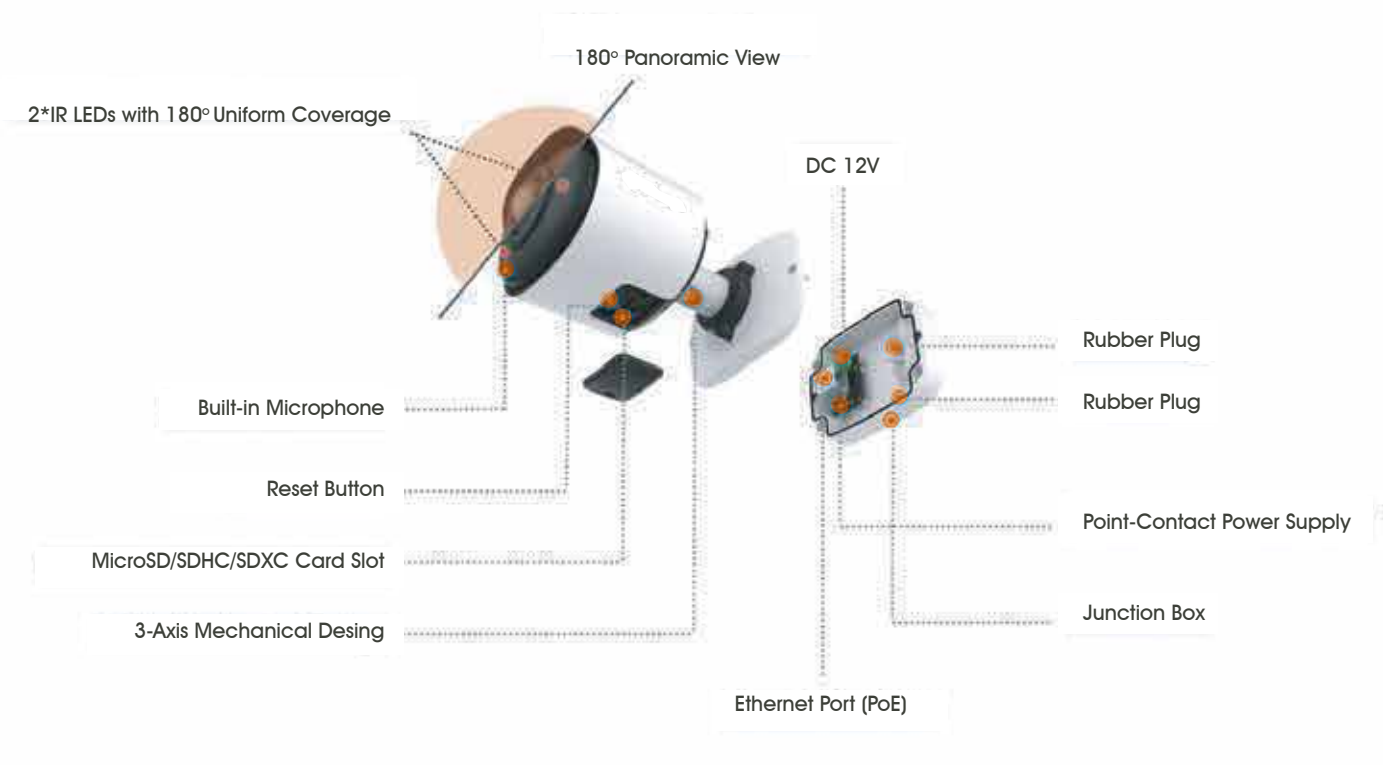
APPLICATION SCENARIOS

Alco Solution leverages cutting-edge technologies, including Sensory System, IoT technology, 5G, AI deep learning, to realize an intelligent and highly integrated 5G AIoT solution, which is beyond just data collection also draws actionable insights, catering for the scenarios which are not suitable for laying wired network and have high demanding for device stability.





ALCO CLASSIC DESIGN





LITE SERIES

STATE OF THE ART HIGH DEFINITION

H.265+
HEVC

H.265+

Profile G.911
Onvif

ONVIF

VCA

VCA

PoE

PoE

Defog

Defog

256GB

256GB

SIP

SIP

Plugin-free

Plugin-free

Cyber Security

Cyber Security

H.265+ VANDAL-PROOF BULLET LITE CAMERA (2/5 MP)

H.265+ / 3 Axis Mechanical Design / PoE / SIP

**KEY FEATURE**

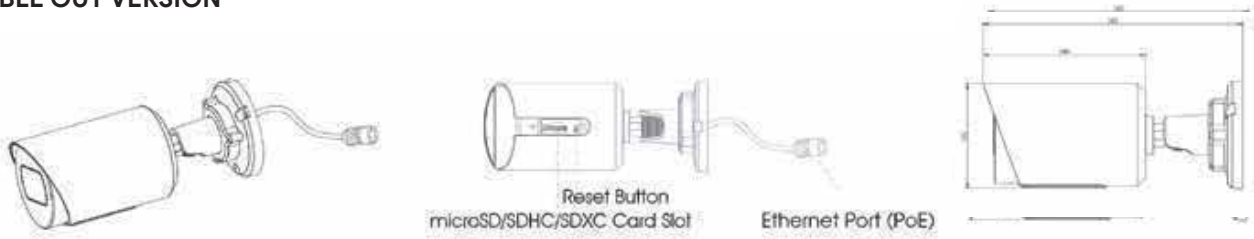
- Smart Stream
- Powerful IR LEDs
- Advanced Function
- Adjustable 3 Axis Bracket



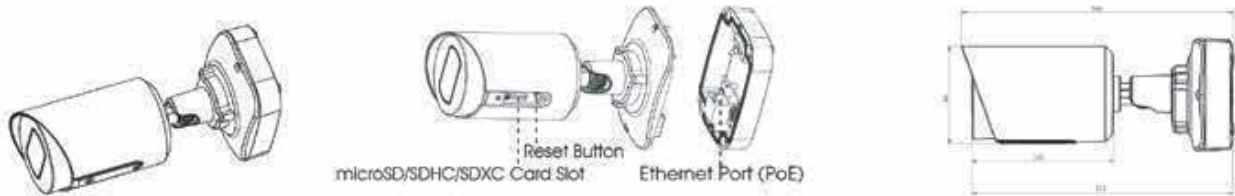
| MODEL | AIS-NC2964-SPB | AIS-NC5364-PB |
|-----------------------|---|-----------------------------------|
| Image Sensor | 1/2.8" Progressive Scan CMOS | 1/2.8" Progressive Scan CMOS |
| WDR | Super WDR 140dB | Super WDR 120dB |
| Min. Illumination | Color: 0.002Lux@F1.2 B/W: 0Lux with IR on | Color: 0.008Lux@F1.6 |
| Lens | 2.8mm/4mm/6mm @F1.6 | 2.8mm/4mm/6mm @F1.6 |
| Field of View | H111°/D128°/V61°(2.8mm) | H105°/ D131° / V78° |
| Mount | M12 | M12 |
| Shutter Time | 1/100000s~1s | 1/100000s~1s |
| IR Distance | Up to 30m | Up to 30m |
| Day & Night | ICR Filter Auto Switch | ICR Filter Auto Switch |
| S / N | >55dB | >55dB |
| Max. Image Resolution | 1920x1080 | 2592*1944 @20fps |
| Primary Stream | 30fps@(1920x1080, 1280x960, 1280x720, 704x576) | |
| Secondary Stream | 30fps@(704x576, 640x480, 640x360, 352x288, 320x240, 320x192, 320x180) | |
| Video Compression | H.265+ / H.265(HEVC)/H.264+/H.264/MJPEG | |
| Video Bit Rate | 16Kbps~16Mbps(CBR/VBR Adjustable) | 16Kbps~16Mbps(CBR/VBR Adjustable) |
| Image Setting | Brightness/Contrast/Saturation/Sharpness | |
| Ethernet | 1*RJ45 10M/100M Ethernet Port | |
| Network Storage | NAS(Support NFS, SMB/CIFS) | |
| Protocol | IPv4/IPv6, ARP, TCP, UDP, RTCP, RTP, RTSP, RTMP, HTTP, HTTPS, DNS, DDNS, DHCP, FTP, NTP, SMTP, SNMP, UPnP, Bonjour,SIP, PPPoE, VLAN, 802.1x, QoS, IGMP, ICMP, SSL | |
| Storage | Support microSD/SDHC/SDXC Card Local Storage, up to 256G (Optional) | |
| Advanced Function | Privacy Masking, BLC, HLC, 2D DNR, 3D DNR, ROI, | |
| SIP / VoIP Support | Yes, Voice & Video-over-IP | |
| Event Trigger | Motion Detection, Network Disconnection, etc. | |
| Event Action | FTP Upload, SMTP Upload, SD Card Record, SIP Phone, HTTP Notification, etc. | |
| Video Analysis | Region Entrance, Region Exiting, Advanced Motion Detection | |
| System Compatibility | ONVIF Profile G & Q & S & T | |
| Working Temperature | -40°C ~ 60°C | |
| Working Humidity | 0~90%(Non-condensing) | |
| Power Supply | PoE (802.3af) | |
| Power Consumption | 2.5W MAX / 3.6W MAX (With IR on) | |
| Weather Proof | Up to IP67-rated for Weather-resistant Performance | |
| Housing | Vandal-proof IK10-rated Metal Housing | |
| Weight | 450g (Cable Out Version) / 610g (Junction Box Version) | |
| Dimensions | φ 64mmX160mm (Cable Out Version) / 97mmX74mmX180mm (Junction Box Version) | |

STRUCTURE DIAGRAMS

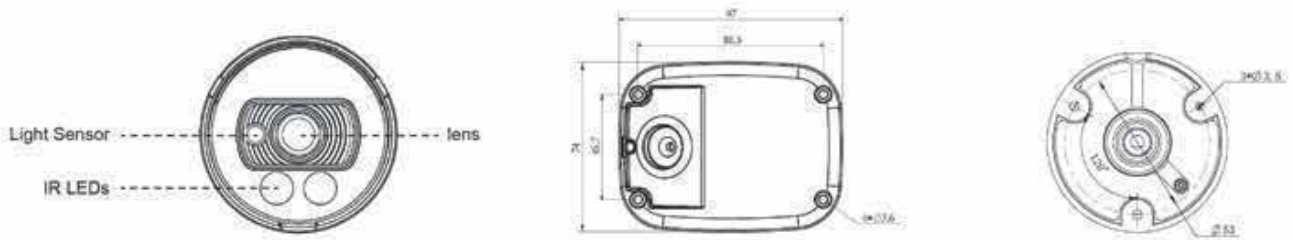
CABLE OUT VERSION



JUNCTION BOX VERSION



SMART IR II TECHNOLOGY



ACCESSORIES SUPPORT

AIS-A01 Pole Mount

Weight: 720g
Dimensions: 170*51.1*152.6mm



AIS-A02 Internal Corner Bracket

Weight: 540g
Dimensions: 170*23.2*205.3mm



AIS-A03 External Corner Bracket

Weight: 900g
Dimensions: 170*152.6*76.3mm



H.265+ WEATHER-PROOF DOME LITE CAMERA (2/5 MP)

H.265+ / 3 Axis Mechanical design / IP66 / IK10 / Clamshell Design / PoE / SIP

**KEY FEATURE**

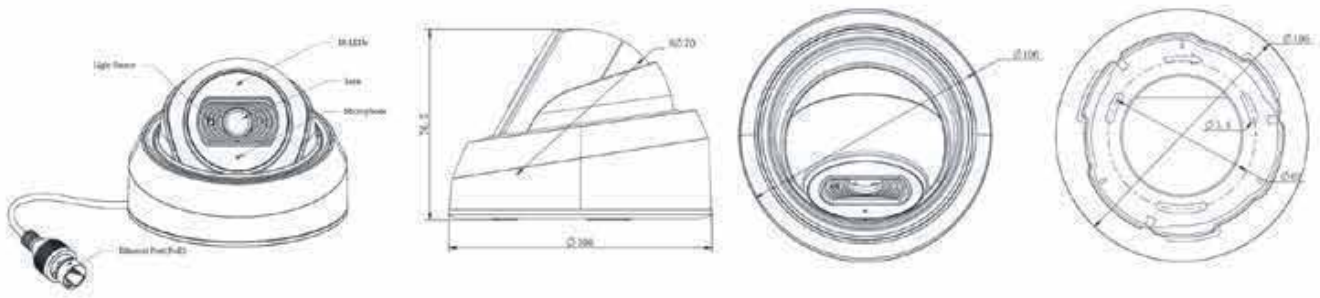
- Smart Stream: H265+ save 70% - 80%
- Advanced Functions: HLC, Defog, ROL
- Session Initiation Protocol, Providing alarm
- 3 Axis Mechanical Design
- Built in Microphone



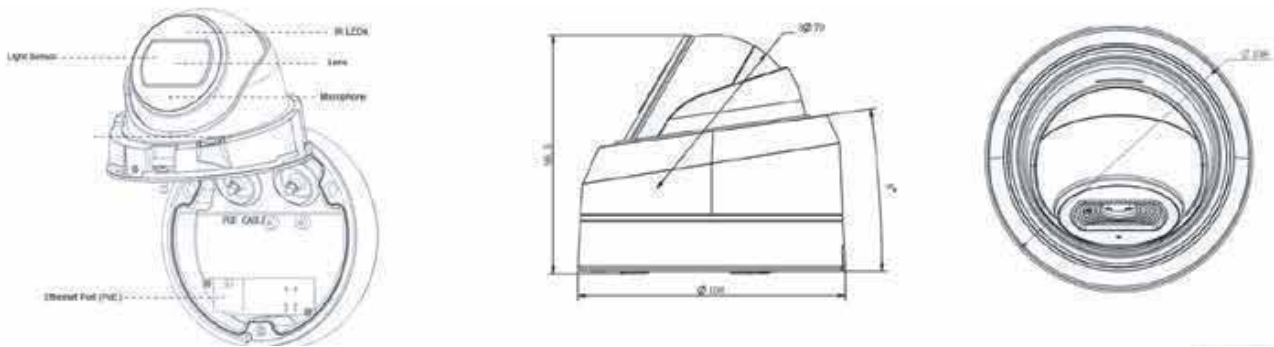
| MODEL | AIS-NC2975-SPB | AIS-NC5375-PB |
|-----------------------|---|--|
| Image Sensor | 1/2.8" Progressive Scan CMOS | 1/2.8" Progressive Scan CMOS |
| Min.Illumination | Color: 0.002Lux@F1.2 B/W: 0Lux with IR on | Color: 0.008Lux@F1.6 |
| WDR | 140dB Super WDR | Super WDR 120dB |
| Lens | 2.8mm/4mm/6mm @F1.6 | 2.8mm/4mm/6mm @F1.6 |
| Mount | M12 | M12 |
| Field of View | H111°/D128°/V61°(2.8mm) H91°/D106°/V50°(4mm) | H55°/D63°/V32°(6mm) |
| Shutter Time | 1/100000s~1s | 1/100000s~1s |
| IR Distance | Up to 25m | Up to 25m |
| Day & Night | ICR Filter Auto Switch | ICR Filter Auto Switch |
| S / N | >55dB | >55dB |
| Max. Image Resolution | 1920*1080 | 2592*1944 @20fps |
| Primary Stream | 30fps@(1920x1080, 1280x960, 1280x720, 704x576) | |
| Secondary Stream | 30fps@(704x576, 640x480, 640x360, 352x288, 320x240, 320x192, 320x180) | |
| Video Compression | H.265+/H.265(HEVC)/H.264+/H.264/MJPEG | H.265+/H.265(HEVC)/H.264+/H.264/MJPEG |
| Video Bit Rate | 16Kbps~16Mbps(CBR/VBR Adjustable) | 16Kbps~16Mbps(CBR/VBR Adjustable) |
| Image Setting | Brightness/Contrast/Saturation/Sharpness | Brightness/Contrast/Saturation/Sharpness |
| Ethernet | 1*RJ45 10M/100M Ethernet Port | 1*RJ45 10M/100M Ethernet Port |
| Network Storage | NAS(Support NFS, SMB/CIFS) | NAS(Support NFS, SMB/CIFS) |
| Protocol | IPv4/IPv6, ARP, TCP, UDP, RTCP, RTP, RTSP, RTMP, HTTP, HTTPS, DNS, DDNS, DHCP, FTP, NTP, SMTP, SNMP, UPnP, Bonjour,SIP, PPPoE, VLAN, 802.1x, QoS, IGMP, ICMP, SSL | |
| Storage | Support microSD/SDHC/SDXC Card Local Storage, up to 256G (Optional) | |
| Advanced Function | Privacy Masking, BLC, HLC, 2D DNR, 3D DNR, ROI, | |
| SIP/VoIP Support | Yes, Voice & Video-over-IP | Yes, Voice & Video-over-IP |
| Event Trigger | Motion Detection, Network Disconnection, etc. | |
| Event Action | FTP Upload, SMTP Upload, SD Card Record, SIP Phone, HTTP Notification, etc. | |
| Video Analysis | Region Entrance, Region Exiting, Advanced Motion Detection | |
| System Compatibility | ONVIF Profile G & Q & S & T | ONVIF Profile G & Q & S & T |
| Working Temperature | -40°C ~ 60°C | -40°C ~ 60°C |
| Working Humidity | 0~90%(Non-condensing) | 0~90%(Non-condensing) |
| Power Supply | PoE (802.3af) | PoE (802.3af) |
| Power Consumption | 2.5W MAX | 2.5W MAX |
| Weather Proof | Up to IP67-rated for Weather-resistant Performance | |
| Audio I/O | Built-in Microphone | Built-in Microphone |
| Weight | 410g (Cable Out Version) | 600g (Junction Box Version) |
| Dimensions | Φ106mmX76.5mm (Cable Out Version) / Φ108mmX96.5mm (Junction Box Version) | |

STRUCTURE DIAGRAMS

CABLE OUT VERSION



JUNCTION BOX VERSION



ACCESSORIES SUPPORT

AIS-A01 Pole Mount

Weight: 720g
Dimensions: 170*51.5*152.6mm



AIS-A02 Internal Corner Bracket

Weight: 540g
Dimensions: 170*23.2*205.3mm



AIS-A03 External Corner Bracket

Weight: 900g
Dimensions: 170*152.6*76.3mm



AIS-A71 Wall Mount

Weight: 530g
Dimensions: 162-124-78mm



AIS-A73 Adapter Plate

Weight: 28g
Dimensions: 115*122.5*10mm



H.265+ VANDAL-PROOF DOME LITE CAMERA (2/5 MP)

H.265+ / IP67 / 3 Axis Mechanical Design / IK10 / SIP

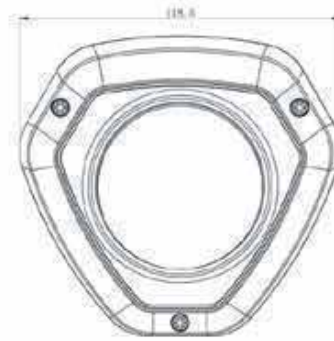
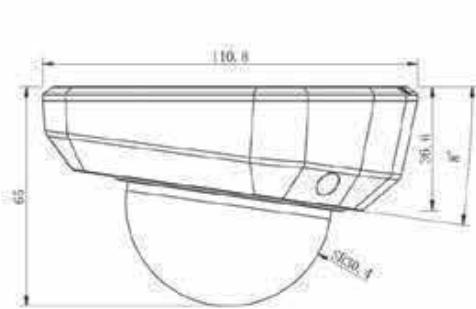
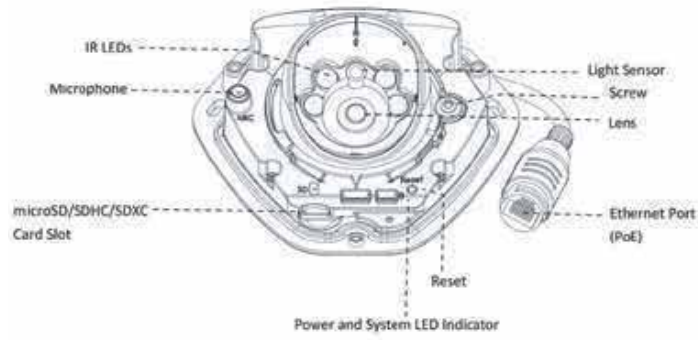
KEY FEATURE

- Smart Stream
- Powerful IR LEDs
- Advanced Function
- Adjustable 3 Axis Bracket



| MODEL | AIS-NC2973-SPB | AIS-NC5373-PB |
|-----------------------|---|--|
| Image Sensor | 1/2.8" Progressive Scan CMOS | 1/2.8" Progressive Scan CMOS |
| Min.Illumination | Color: 0.002Lux@F1.2 B/W: 0Lux with IR on | Color: 0.008Lux@F1.6 |
| WDR | 140dB Super WDR | Super WDR 120dB |
| Lens | 2.8mm/4mm/6mm @F1.6 | 2.8mm/4mm/6mm @F1.6 |
| Mount | M12 | M12 |
| Field of View | H111°/D128°/V61°(2.8mm) H91°/D106°/V50°(4mm) H55°/D63°/V32°(6mm) | |
| Shutter Time | 1/100000s~1s | 1/100000s~1s |
| IR Distance | Up to 30m | Up to 30m |
| Day & Night | ICR Filter Auto Switch | ICR Filter Auto Switch |
| S / N | >55dB | >55dB |
| Max. Image Resolution | 1920x1080 | 2592*1944 @20fps |
| Primary Stream | 30fps@(1920x1080, 1280x960, 1280x720, 704x576) | |
| Secondary Stream | 30fps@(704x576, 640x480, 640x360, 352x288, 320x240, 320x192, 320x180) | |
| Video Compression | H.265+/H.265(HEVC)/H.264+/H.264/MJPEG | H.265+/H.265(HEVC)/H.264+/H.264/MJPEG |
| Video Bit Rate | 16Kbps~16Mbps(CBR/VBR Adjustable) | 16Kbps~16Mbps(CBR/VBR Adjustable) |
| Image Setting | Brightness/Contrast/Saturation/Sharpness | Brightness/Contrast/Saturation/Sharpness |
| Ethernet | 1*RJ45 10M/100M Ethernet Port | 1*RJ45 10M/100M Ethernet Port |
| Network Storage | NAS(Support NFS, SMB/CIFS) | NAS(Support NFS, SMB/CIFS) |
| Protocol | IPv4/IPv6, ARP, TCP, UDP, RTCP, RTP, RTSP, RTMP, HTTP, HTTPS, DNS, DDNS, DHCP, FTP, NTP, SMTP, SNMP, UPnP, Bonjour,SIP, PPPoE, VLAN, 802.1x, QoS, IGMP, ICMP, SSL | |
| Storage | Support microSD/SDHC/SDXC Card Local Storage, up to 256G (Optional) | |
| Advanced Function | Privacy Masking, BLC, HLC, 2D DNR, 3D DNR, ROI, | |
| SIP/VoIP Support | Yes, Voice & Video-over-IP | Yes, Voice & Video-over-IP |
| Event Trigger | Motion Detection, Network Disconnection, etc. | |
| Event Action | FTP Upload, SMTP Upload, SD Card Record, SIP Phone, HTTP Notification, etc. | |
| Video Analysis | Region Entrance, Region Exiting, Advanced Motion Detection | |
| System Compatibility | ONVIF Profile G & Q & S & T | ONVIF Profile G & Q & S & T |
| Working Temperature | -40°C ~ 60°C | -40°C ~ 60°C |
| Working Humidity | 0~90%(Non-condensing) | 0~90%(Non-condensing) |
| Power Supply | PoE (802.3af) | PoE (802.3af) |
| Power Consumption | 3.5W MAX (With IR on) | 3.5W MAX (With IR on) |
| Weather Proof | Up to IP67-rated for Weather-resistant Performance | |
| Audio I/O | Built-in Microphone | Built-in Microphone |
| Dimensions/Weight | 118.5mmX110.8mmX65mm/500g | 118.5mmX110.8mmX65mm/500g |

STRUCTURE DIAGRAMS



ACCESSORIES SUPPORT

AIS-A01 Pole Mount

Weight: 720g
Dimensions: 170*51.5*152.6mm



AIS-A02 Internal Corner Bracket

Weight: 540g
Dimensions: 170*23.2*205.3mm



AIS-A03 External Corner Bracket

Weight: 900g
Dimensions: 170*152.6*76.3mm



AIS-A71 Wall Mount

Weight: 530g
Dimensions: 162-124-78mm



AIS-A73 Adapter Plate

Weight: 28g
Dimensions: 115*122.5*10mm



AIS-A74 Junction Box

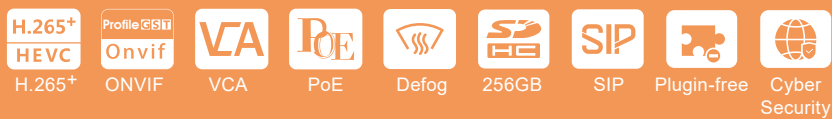
Weight: 60g
Dimensions: 121.5*116.5*37.2mm





AI LITE SERIES

STATE OF THE ART HIGH DEFINITION



H.265+ VANDAL-PROOF BULLET AI LITE CAMERA (2/5 MP)

AI / 0.002Lux Ultra Low-light / 60fps / IP66 / IP67 / IK10 / PoE (8 MP Optional)

**KEY FEATURE**

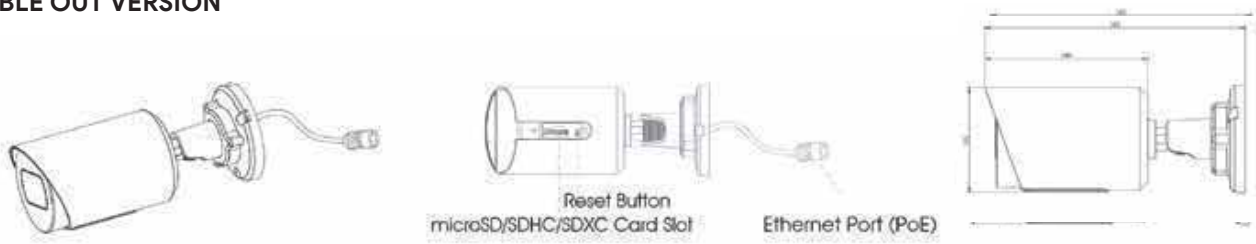
- AI Video Analytics
- Advanced Heat Map
- Face Detection Function
- Real-Time People Counting
- 4K Video Viewing Experience
- Leading-Edge H.265+ Compression



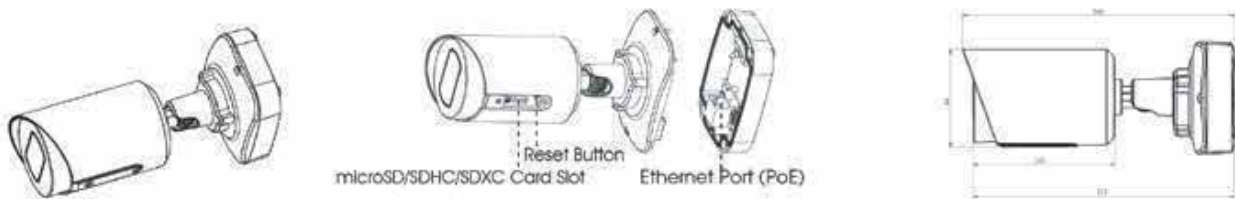
| MODEL | AIS-NC2964-PD / AIS-MS2964(PD/PA/RPC) | AIS-NC5364-PD / AIS-MS5364(PD/PA/RPC) |
|-----------------------|--|---------------------------------------|
| Image Sensor | 1/2.8" Progressive Scan CMOS | 1/2.8" Progressive Scan CMOS |
| WDR | Super WDR 140dB | Super WDR 120dB |
| Min. Illumination | Color: 0.002Lux@f.12 0.005Lux@F1.6 | Color: 0.005Lux@f.12 0.008Lux@F1.6 |
| Lens | 2.8mm/4mm/6mm @F1.6 | 2.8mm/4mm/6mm @F1.6 |
| Field of View | H111°/D128°/V61°(2.8mm) | H105°/ D131° / V78° |
| Mount | M12 | M12 |
| Shutter Time | 1/100000s~1s | 1/100000s~1s |
| IR Distance | Up to 30m | Up to 30m |
| Day & Night | Day/Night/Auto/Customize/Schedule | Day/Night/Auto/Customize/Schedule |
| S / N | >55dB | >55dB |
| Max. Image Resolution | 60fps@(1920 x 1080) | 30fps@(2592 x 1944) |
| Primary Stream | 30fps@(1920x1080, 1280x960, 1280x720, 704x576) | |
| Secondary Stream | 30fps@(704x576, 640x480, 640x360, 352x288, 320x240, 320x192, 320x180) | |
| Video Compression | H.265+ / H.265(HEVC)/H.264+ / H.264/MJPEG | |
| Video Bit Rate | 16Kbps~16Mbps(CBR/VBR Adjustable) | 16Kbps~16Mbps(CBR/VBR Adjustable) |
| Face Detection | Detect and Capture Faces, Get Real-time Snapshots | |
| Ethernet | 1*RJ45 10M/100M Ethernet Port | 1*RJ45 10M/100M Ethernet Port |
| People Counting | Count the number of people entering or exiting, up to 4 detection areas for regional people counting | |
| Protocol | IPv4/IPv6, ARP, TCP, UDP, RTCP, RTP, RTSP, RTMP, HTTP, HTTPS, DNS, DDNS, DHCP, FTP, NTP, SMTP, SNMP, UPnP, Bonjour, SIP, PPPoE, VLAN, 802.1x, QoS, IGMP, ICMP, SSL | |
| Storage | NAS(Support NFS, SMB/CIFS); Support microSD/SDHC/SDXC Card Local Storage upto 256G (Optional) | |
| Advanced Function | Heat Map, Privacy Masking, BLC, HLC, 2D DNR, 3D DNR, Defog, AWB, EIS, IP Address Filtering | |
| Audio I/O | 1/1 (Multi-interface Version) | 1/1 (Multi-interface Version) |
| Event Trigger | Motion Detection, Network Disconnection, etc. | |
| Event Action | FTP Upload, SMTP Upload, SD Card Record, SIP Phone, HTTP Notification, etc. | |
| Video Analysis | Region Entrance, Region Exiting, Advanced Motion Detection | |
| System Compatibility | ONVIF Profile G & Q & S & T | ONVIF Profile G & Q & S & T |
| Working Temperature | -40°C ~ 60°C | -40°C ~ 60°C |
| Working Humidity | 0~90%(Non-condensing) | 0~90%(Non-condensing) |
| Power Supply | PoE (802.3af) | PoE (802.3af) |
| Power Consumption | 2.5W MAX / 3.6W MAX (With IR on) | 2.5W MAX / 3.6W MAX (With IR on) |
| Weather Proof | Up to IP67-rated for Weather-resistant Performance | |
| Housing | IP67/IK10 | |
| Weight | 450g (Cable Out Version) / 610g (Junction Box Version) | |
| Dimensions | 97mmX74mmX180mm (Junction Box Version) / Ø64mmX160mm (Cable Out Version) | |

STRUCTURE DIAGRAMS

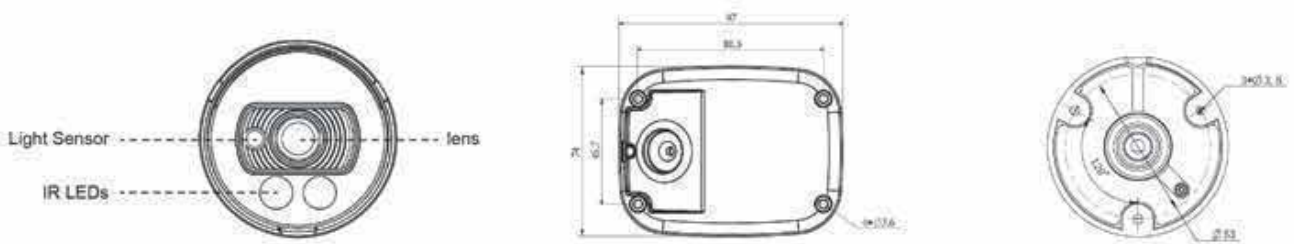
CABLE OUT VERSION



JUNCTION BOX VERSION



SMART IR II TECHNOLOGY



ACCESSORIES SUPPORT

AIS-A01 Pole Mount

Weight: 720g
Dimensions: 170*51.1*152.6mm



AIS-A02 Internal Corner Bracket

Weight: 540g
Dimensions: 170*23.2*205.3mm



AIS-A03 External Corner Bracket

Weight: 900g
Dimensions: 170*152.6*76.3mm



H.265+ VANDAL-PROOF MOTORIZED BULLET AI LITE CAMERA (2/5 MP)

AI / 0.002Lux Ultra Low-light / 60fps / IP66 / IP67 / IK10 / PoE (8 MP Optional)

**KEY FEATURE**

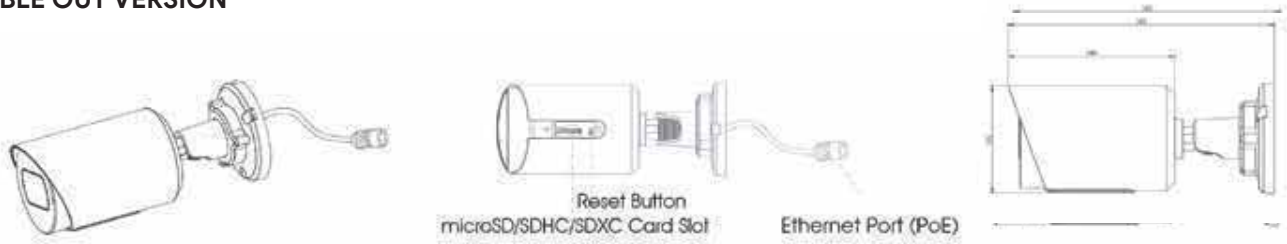
- AI Video Analytics
- Advanced Heat Map
- Face Detection Function
- Advanced Motorized Lens
- Real-Time People Counting
- 4K Video Viewing Experience



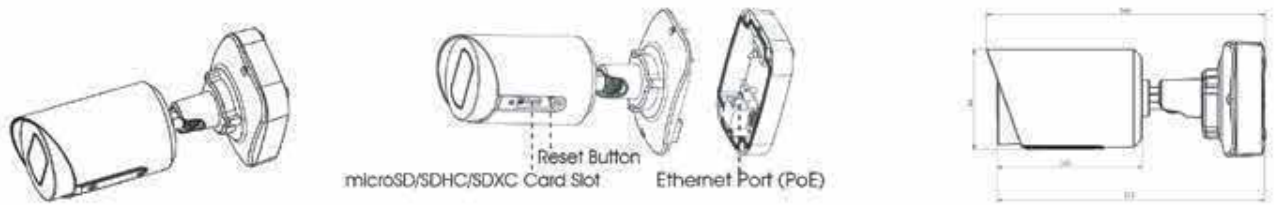
| MODEL | AIS-NC2964-MPD / AIS-MSC2964-R(T)F(I)PC | AIS-NC5364-MPD / AIS-MSC5364 F(I)PC |
|-----------------------|--|-------------------------------------|
| Image Sensor | 1/2.8" Progressive Scan CMOS | 1/2.8" Progressive Scan CMOS |
| WDR | Super WDR 140dB | Super WDR 120dB |
| Min. Illumination | Color: 0.002Lux@f.12 0.005Lux@F1.4 | Color: 0.005Lux@f.12 0.008Lux@F1.4 |
| Lens | Motorized 2.7~13.5mm/3.0~10.5mm/7~22mm@F1.4 P-Iris (Optional) | |
| Field of View | H111°~H34°/D130°~D39°/V60°~V19° | H99°~H31°/D124°~D38°/V72°~V23° |
| Mount | M12 | M12 |
| Shutter Time | 1/100000s~1s | 1/100000s~1s |
| IR Distance | Up to 50m | Up to 50m |
| Day & Night | Day/Night/Auto/Customize/Schedule | Day/Night/Auto/Customize/Schedule |
| S / N | >55dB | >55dB |
| Max. Image Resolution | 60fps@(1920 x 1080) | 30fps@(2592 x 1944) |
| Primary Stream | 30fps@(1920x1080, 1280x960, 1280x720, 704x576) | |
| Secondary Stream | 30fps@(704x576, 640x480, 640x360, 352x288, 320x240, 320x192, 320x180) | |
| Video Compression | H.265+ / H.265(HEVC)/H.264+/H.264/MJPEG | |
| Video Bit Rate | 16Kbps~16Mbps(CBR/VBR Adjustable) | 16Kbps~16Mbps(CBR/VBR Adjustable) |
| Face Detection | Detect and Capture Faces, Get Real-Time Snapshots | |
| Ethernet | 1*RJ45 10M/100M Ethernet Port | 1*RJ45 10M/100M Ethernet Port |
| People Counting | Count the number of people entering or exiting, up to 4 detection areas for regional people counting | |
| Protocol | IPv4/IPv6, ARP, TCP, UDP, RTCP, RTP, RTSP, RTMP, HTTP, HTTPS, DNS, DDNS, DHCP, FTP, NTP, SMTP, SNMP, UPnP, Bonjour, SIP, PPPoE, VLAN, 802.1x, QoS, IGMP, ICMP, SSL | |
| Storage | NAS(Support NFS, SMB/CIFS); Support microSD/SDHC/SDXC Card Local Storage upto 256G (Optional) | |
| Advanced Function | Heat Map, Privacy Masking, BLC, HLC, 2D DNR, 3D DNR, Defog, AWB, EIS, IP Address Filtering | |
| Audio I/O | 1/1 (Multi-interface Version) | 1/1 (Multi-interface Version) |
| Event Trigger | Motion Detection, Network Disconnection, etc. | |
| Event Action | FTP Upload, SMTP Upload, SD Card Record, SIP Phone, HTTP Notification, etc. | |
| Video Analysis | Region Entrance, Region Exiting, Advanced Motion Detection | |
| System Compatibility | ONVIF Profile G & Q & S & T | ONVIF Profile G & Q & S & T |
| Working Temperature | -40°C ~ 60°C | -40°C ~ 60°C |
| Working Humidity | 0~90%(Non-condensing) | 0~90%(Non-condensing) |
| Power Supply | PoE (802.3af) / DC 12V±10% | PoE (802.3af) / DC 12V±10% |
| Power Consumption | 2.5W MAX / 3.6W MAX (With IR on) | 2.5W MAX / 3.6W MAX (With IR on) |
| Weather Proof | Up to IP67-rated for Weather-resistant Performance | |
| Housing | IP67/IK10 | IP67/IK10 |
| Dimensions/Weight | ∅76mm X 239.5mm / 825g | ∅76mm X 239.5mm / 825g |

STRUCTURE DIAGRAMS

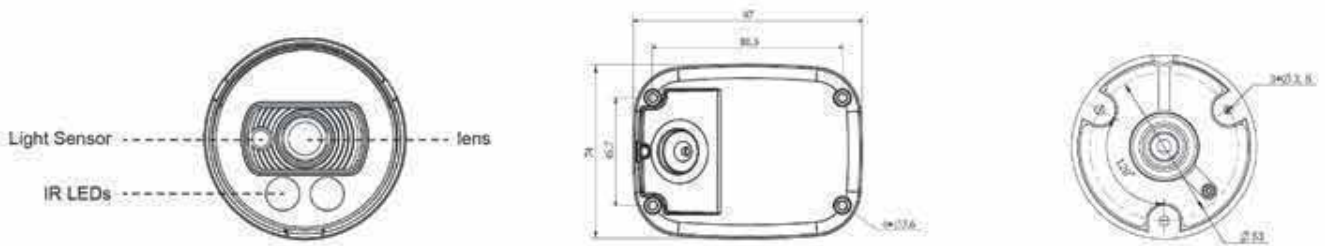
CABLE OUT VERSION



JUNCTION BOX VERSION



SMART IR II TECHNOLOGY



ACCESSORIES SUPPORT

AIS-A01 Pole Mount

Weight: 720g
Dimensions: 170*51.1*152.6mm



AIS-A02 Internal Corner Bracket

Weight: 540g
Dimensions: 170*23.2*205.3mm



AIS-A03 External Corner Bracket

Weight: 900g
Dimensions: 170*152.6*76.3mm

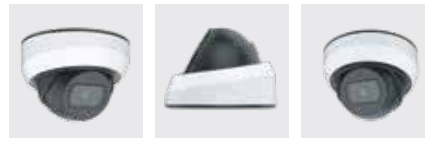


H.265 + WEATHER-PROOF DOME AI LITE CAMERA (2/5 MP)

AI / 140dB WDR / 0.002Lux Ultra Low-light / 60fps / IP66 / IP67 / IK10 / PoE

KEY FEATURE

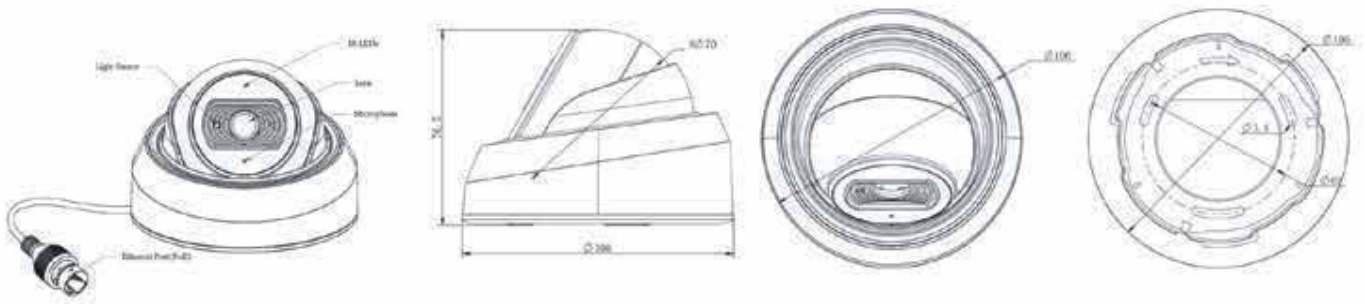
- AI Video Analytics
- Advanced Heat Map
- Face Detection Function
- Real-Time People Counting
- Advanced Built-in Microphone
- Reliable Anti-Vibration Performance



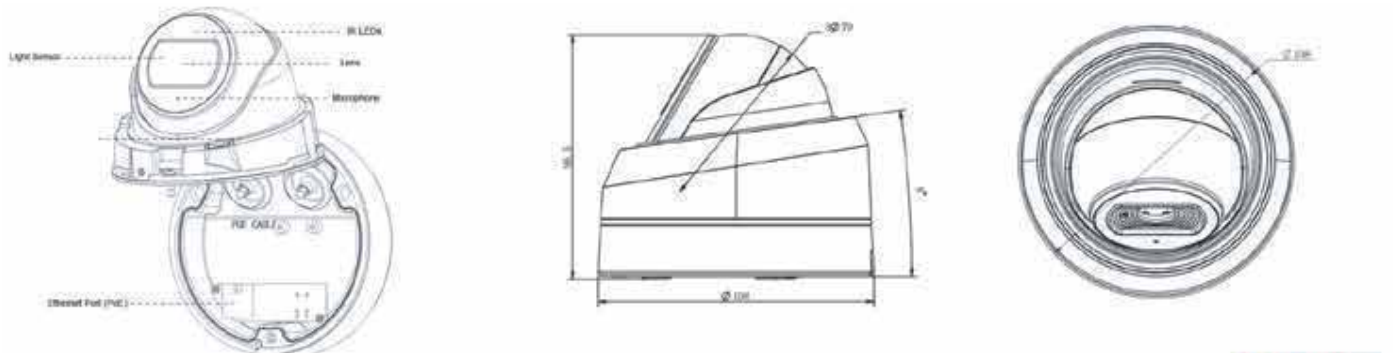
| MODEL | AIS-NC2975-PD / AIS-MSC2975(PD/PA/PC) | AIS-NC5375-PD / AIS-MSC5375(PD/PA/PC) |
|-----------------------|---|---------------------------------------|
| Image Sensor | 1/2.8" Progressive Scan CMOS | 1/2.8" Progressive Scan CMOS |
| Min.Illumination | Color: 0.002Lux@F.12 0.005Lux@F1.6 | Color: 0.005Lux@f.12 0.008Lux@F1.6 |
| WDR | 140dB Super WDR | Super WDR 120dB |
| Lens | 2.8mm/4mm/6mm @F1.6 | 2.8mm/4mm/6mm @F1.6 |
| Mount | M12 | M12 |
| Field of View | H111°/D128°/V61°(2.8mm) | H105°/D131°/V78°(2.8mm) |
| Shutter Time | 1/100000s~1s | 1/100000s~1s |
| IR Distance | Up to 25m | Up to 25m |
| Day & Night | Day/Night/Auto/Customize/Schedule | Day/Night/Auto/Customize/Schedule |
| S / N | >55dB | >55dB |
| Max. Image Resolution | 60fps@(1920 x 1080) | 30fps@(2592 x 1944) |
| Primary Stream | 30fps@(1920x1080, 1280x960, 1280x720, 704x576) | |
| Face Detection | Detect and Capture Faces, Get Real-Time Snapshots | |
| Video Compression | H.265+/H.265(HEVC)/H.264+/H.264/MJPEG | H.265+/H.265(HEVC)/H.264+/H.264/MJPEG |
| Video Bit Rate | 16Kbps~16Mbps(CBR/VBR Adjustable) | |
| Audio Compression | G.711/AAC/G.722/G.726 | G.711/AAC/G.722/G.726 |
| Ethernet | 1*RJ45 10M/100M Ethernet Port | |
| People Counting | Count the number of people entering or exiting, up to 4 detection areas for regional people counting | |
| Protocol | IPv4/IPv6, ARP, TCP, UDP, RTCP, RTP, RTSP, RTMP, HTTP, HTTPS, DNS, DDNS, DHCP, FTP, NTP, SMTP, SNMP, UPnP, Bonjour,SIP, PPPoE, VLAN, 802.1x, QoS, IGMP, ICMP, SSL | |
| Storage | NAS(Support NFS, SMB/CIFS); Support microSD/SDHC/SDXC Card Local Storage upto 256G (Optional) | |
| Advanced Function | Heat Map, Privacy Masking, BLC, HLC, 2D DNR, 3D DNR, Defog, AWB, EIS, IP Address Filtering | |
| Audio I/O | 1/1 (Multi-interface Version) | 1/1 (Multi-interface Version) |
| Event Trigger | Motion Detection, Network Disconnection, etc. | |
| Event Action | FTP Upload, SMTP Upload, SD Card Record, SIP Phone, HTTP Notification, etc. | |
| Video Analysis | Region Entrance, Region Exiting, Advanced Motion Detection | |
| System Compatibility | ONVIF Profile G & Q & S & T | ONVIF Profile G & Q & S & T |
| Working Temperature | -40°C ~ 60°C | -40°C ~ 60°C |
| Working Humidity | 0~90%(Non-condensing) | |
| Power Supply | PoE (802.3af) | |
| Power Consumption | 2.5W MAX | |
| Housing | IP67/IK10 | IP67/IK10 |
| Audio | Built-in Microphone | |
| Weight | 410g (Cable Out Version) | 600g (Junction Box Version) |
| Dimensions | Φ106mmX76.5mm (Cable Out Version) / Φ108mmX96.5mm (Junction Box Version) | |

STRUCTURE DIAGRAMS

CABLE OUT VERSION



JUNCTION BOX VERSION



ACCESSORIES SUPPORT

AIS-A01 Pole Mount

Weight: 720g
Dimensions: 170*51.5*152.6mm



AIS-A02 Internal Corner Bracket

Weight: 540g
Dimensions: 170*23.2*205.3mm



AIS-A03 External Corner Bracket

Weight: 900g
Dimensions: 170*152.6*76.3mm



AIS-A71 Wall Mount

Weight: 530g
Dimensions: 162-124-78mm



AIS-A73 Adapter Plate

Weight: 28g
Dimensions: 115*122.5*10mm



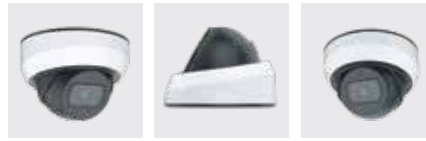
H.265+ WEATHER-PROOF AF MOTORIZED DOME AI LITE CAMERA (2/5 MP)

ONVIF | G | Q | S | T

AI / 140dB WDR / 0.002Lux Ultra Low-light / 60fps / IP66 / IP67 / IK10 / PoE

**KEY FEATURE**

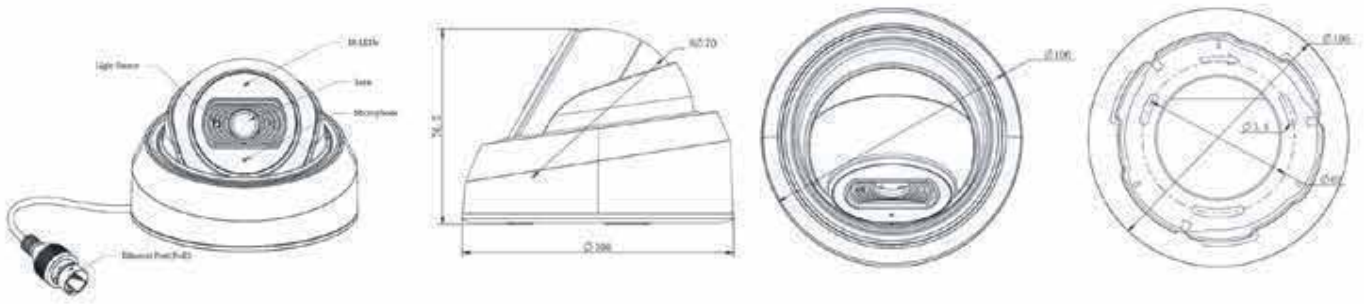
- AI Video Analytics
- Advanced Heat Map
- Face Detection Function
- Real-Time People Counting
- Advanced Built-in Microphone
- Reliable Anti-Vibration Performance



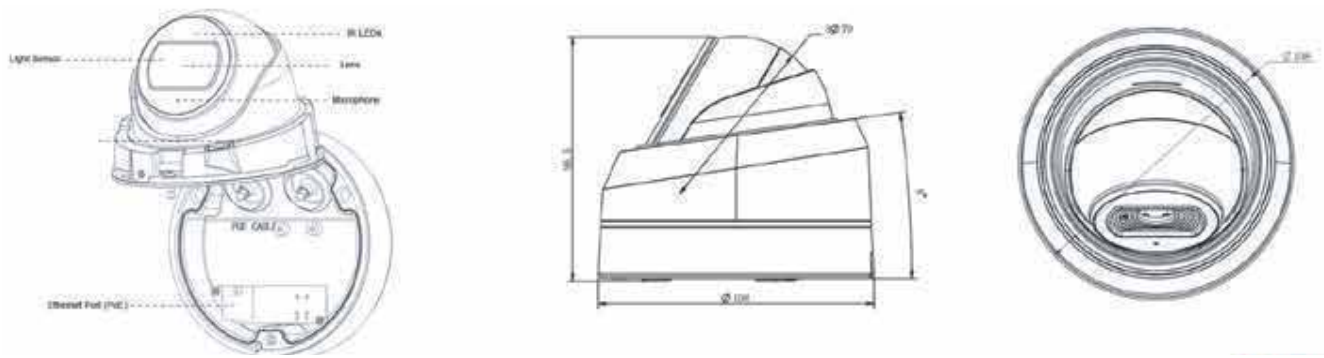
| MODEL | AIS-NC2975-AFPD / AIS-MSC2975(PD/PA/REPC) | AIS-NC5375-AFPD / AIS-MSC5375(PD/PA/EPC) |
|-----------------------|---|--|
| Image Sensor | 1/2.8" Progressive Scan CMOS | 1/2.8" Progressive Scan CMOS |
| Min.Illumination | Color: 0.002Lux@F.12 0.005Lux@F1.8 | Color: 0.005Lux@f.12 0.008Lux@F1.8 |
| WDR | 140dB Super WDR | Super WDR 120dB |
| Lens | 2.8~8.4mm, 3X Optical Zoom | 2.8~8.4mm, 3X Optical Zoom |
| Mount | M12 | M12 |
| Field of View | H111°~ H48°/D130°~D55°/V60°~V27° | H101°~H42°/D129°~D53°/V74°~V31° |
| Shutter Time | 1/100000s~1s | 1/100000s~1s |
| IR Distance | Up to 35m | Up to 35m |
| Day & Night | Day/Night/Auto/Customize/Schedule | Day/Night/Auto/Customize/Schedule |
| S / N | >55dB | >55dB |
| Max. Image Resolution | 60fps@(1920 x 1080) | 30fps@(2592 x 1944) |
| Primary Stream | 30fps@(1920x1080, 1280x960, 1280x720, 704x576) | |
| Face Detection | Detect and Capture Faces, Get Real-Time Snapshots | |
| Video Compression | H.265+/H.265(HEVC)/H.264+/H.264/MJPEG | H.265+/H.265(HEVC)/H.264+/H.264/MJPEG |
| Video Bit Rate | 16Kbps~16Mbps(CBR/VBR Adjustable) | 16Kbps~16Mbps(CBR/VBR Adjustable) |
| Audio Compression | G.711/AAC/G.722/G.726 | G.711/AAC/G.722/G.726 |
| Ethernet | 1*RJ45 10M/100M Ethernet Port | 1*RJ45 10M/100M Ethernet Port |
| People Counting | Count the number of people entering or exiting, up to 4 detection areas for regional people counting | |
| Protocol | IPv4/IPv6, ARP, TCP, UDP, RTCP, RTP, RTSP, RTMP, HTTP, HTTPS, DNS, DDNS, DHCP, FTP, NTP, SMTP, SNMP, UPnP, Bonjour,SIP, PPPoE, VLAN, 802.1x, QoS, IGMP, ICMP, SSL | |
| Storage | NAS(Support NFS, SMB/CIFS); Support microSD/SDHC/SDXC Card Local Storage upto 256G (Optional) | |
| Advanced Function | Heat Map, Privacy Masking, BLC, HLC, 2D DNR, 3D DNR, Defog, AWB, EIS, IP Address Filtering | |
| Audio I/O | 1/1 (Multi-interface Version) | |
| Event Trigger | Motion Detection, Network Disconnection, External Input, Audio Alarm. | |
| Event Action | FTP Upload, SMTP Upload, SD Card Record, External Output, SIP Phone, HTTP Notification. | |
| Video Analysis | Region Entrance, Region Exiting, Advanced Motion Detection | |
| System Compatibility | ONVIF Profile G & Q & S & T | ONVIF Profile G & Q & S & T |
| Working Temperature | -40°C ~ 60°C | -40°C ~ 60°C |
| Working Humidity | 0~90%(Non-condensing) | 0~90%(Non-condensing) |
| Power Supply | PoE (802.3af) / DC 12V±10% | PoE (802.3af) / DC 12V±10% |
| Power Consumption | 2.5W MAX | 2.5W MAX |
| Housing | IP67/IK10 | IP67/IK10 |
| Audio | Built-in Microphone | Built-in Microphone |
| Weight | 410g (Cable Out Version) | 600g (Junction Box Version) |
| Dimensions/Weight | 108mmX96.5mm/620g | Φ108mmX96.5mm/620g |

STRUCTURE DIAGRAMS

CABLE OUT VERSION



JUNCTION BOX VERSION



ACCESSORIES SUPPORT

AIS-A01 Pole Mount

Weight: 720g
Dimensions: 170*51.5*152.6mm



AIS-A02 Internal Corner Bracket

Weight: 540g
Dimensions: 170*23.2*205.3mm



AIS-A03 External Corner Bracket

Weight: 900g
Dimensions: 170*152.6*76.3mm



AIS-A71 Wall Mount

Weight: 530g
Dimensions: 162-124-78mm



AIS-A73 Adapter Plate

Weight: 28g
Dimensions: 115*122.5*10mm



H.265+ VANDAL-PROOF DOME AI LITE CAMERA (2/5 MP)

AI / 0.002Lux Ultra Low-light / 60fps / EN50155 / IP66 / IP67 / IK10 / PoE (8 MP Optional)

ONVIF | G Q S T

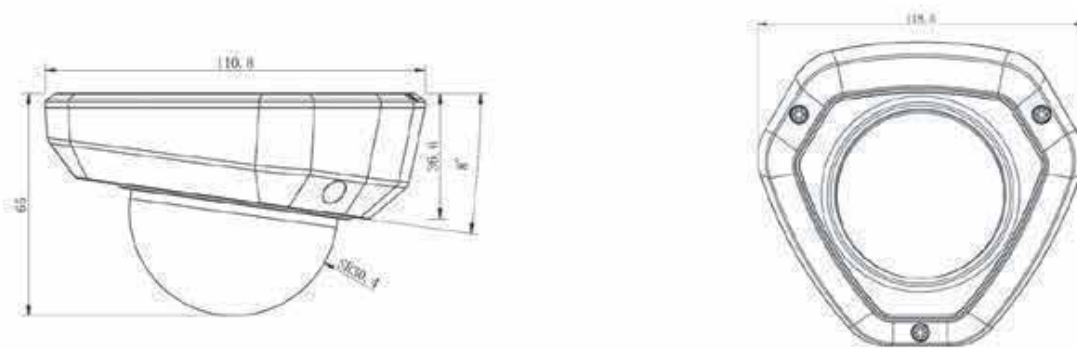
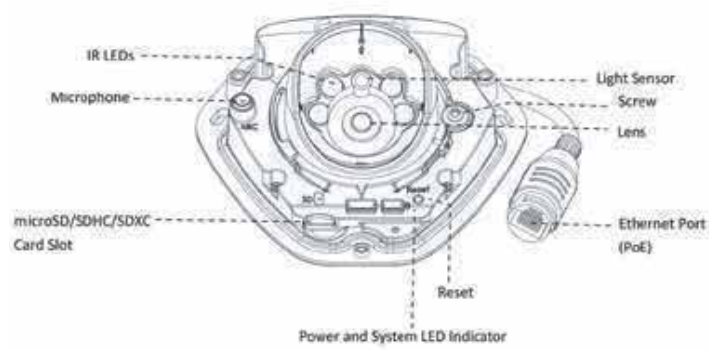
**KEY FEATURE**

- AI Video Analytics
- Advanced Heat Map
- Face Detection Function
- Real-Time People Counting
- 4K Video Viewing Experience
- Reliable Anti-Vibration Performance



| MODEL | AIS-NC2973-PD / AIS-MSC2973(PD/PA/PC) | AIS-NC5373-PD / AIS-MSC5373(PD/PA/PC) |
|-----------------------|---|---------------------------------------|
| Image Sensor | 1/2.8" Progressive Scan CMOS | 1/2.8" Progressive Scan CMOS |
| Min.Illumination | Color: 0.002Lux@f.12 0.005Lux@F1.4 | Color: 0.005Lux@f.12 0.008Lux@F1.4 |
| WDR | 140dB Super WDR | Super WDR 120dB |
| Lens | 2.8mm/4mm/6mm @F1.6 | 2.8mm/4mm/6mm @F1.6 |
| Mount | M12 | M12 |
| Field of View | H111°/D128°/V61°(2.8mm) H91°/D106°/V50°(4mm) H55°/D63°/V32°(6mm) | |
| Shutter Time | 1/100000s~1s | 1/100000s~1s |
| IR Distance | Up to 30m | Up to 30m |
| Day & Night | Day/Night/Auto/Customize/Schedule | Day/Night/Auto/Customize/Schedule |
| S / N | >55dB | >55dB |
| Max. Image Resolution | 60fps@(1920 x 1080) | 30fps@(2592 x 1944) |
| Primary Stream | 30fps@(1920x1080, 1280x960, 1280x720, 704x576) | |
| Secondary Stream | 30fps@(704x576, 640x480, 640x360, 352x288, 320x240, 320x192, 320x180) | |
| Video Compression | H.265+/H.265(HEVC)/H.264+/H.264/MJPEG | H.265+/H.265(HEVC)/H.264+/H.264/MJPEG |
| Video Bit Rate | 16Kbps~16Mbps(CBR/VBR Adjustable) | 16Kbps~16Mbps(CBR/VBR Adjustable) |
| Face Detection | Detect and Capture Faces, Get Real-Time Snapshots | |
| Ethernet | 1*RJ45 10M/100M Ethernet Port | 1*RJ45 10M/100M Ethernet Port |
| People Counting | Count the number of people entering or exiting, up to 4 detection areas for regional people counting | |
| Protocol | IPv4/IPv6, ARP, TCP, UDP, RTCP, RTP, RTSP, RTMP, HTTP, HTTPS, DNS, DDNS, DHCP, FTP, NTP, SMTP, SNMP, UPnP, Bonjour,SIP, PPPoE, VLAN, 802.1x, QoS, IGMP, ICMP, SSL | |
| Storage | NAS(Support NFS, SMB/CIFS); Support microSD/SDHC/SDXC Card Local Storage upto 256G (Optional) | |
| Advanced Function | Heat Map, Privacy Masking, BLC, HLC, 2D DNR, 3D DNR, Defog, AWB, EIS, IP Address Filtering | |
| Audio I/O | 1/1 (Multi-interface Version) | 1/1 (Multi-interface Version) |
| Event Trigger | Motion Detection, Network Disconnection, etc. | |
| Event Action | FTP Upload, SMTP Upload, SD Card Record, SIP Phone, HTTP Notification, etc. | |
| Video Analysis | Region Entrance, Region Exiting, Advanced Motion Detection | |
| System Compatibility | ONVIF Profile G & Q & S & T | ONVIF Profile G & Q & S & T |
| Working Temperature | -40°C ~ 60°C | -40°C ~ 60°C |
| Working Humidity | 0~90%(Non-condensing) | 0~90%(Non-condensing) |
| Power Supply | PoE (802.3af) | PoE (802.3af) |
| Power Consumption | 3.5W MAX (With IR on) | 3.5W MAX (With IR on) |
| Weather Proof | Up to IP67-rated for Weather-resistant Performance | |
| Housing | IP67/IK10 | IP67/IK10 |
| Weight | 500g | 500g |
| Dimensions | 118.5mmX110.8mmX65mm | 118.5mmX110.8mmX65mm |

STRUCTURE DIAGRAMS



ACCESSORIES SUPPORT

AIS-A01 Pole Mount

Weight: 720g
Dimensions: 170*51.5*152.6mm



AIS-A02 Internal Corner Bracket

Weight: 540g
Dimensions: 170*23.2*205.3mm



AIS-A03 External Corner Bracket

Weight: 900g
Dimensions: 170*152.6*76.3mm



AIS-A71 Wall Mount

Weight: 530g
Dimensions: 162-124-78mm



AIS-A73 Adapter Plate

Weight: 28g
Dimensions: 115*122.5*10mm



AIS-A74 Junction Box

Weight: 60g
Dimensions: 121.5*116.5*37.2mm





PRO SERIES

STATE OF THE ART HIGH DEFINITION

H.265+
HEVC
H.265+

Profile G
Onvif
ONVIF

VCA
VCA

PoE
PoE

Defog
Defog

WDR Pro
Super
WDR Pro

256GB
256GB

SIP
SIP

Plugin-free
Plugin-free

Cyber Security
Cyber Security

H.265+ PRO DOME CAMERA (2/5/8 MP)**H.265+ / 3 Axis Mechanical Design / PoE / IP67****KEY FEATURE**

- 0.002Lux Starlight
- 140dB Super WDR
- Smart IR II With 20m IR Distance
- 120 Wide Angle Viewing Experience
- 60fps High Frame Rate
- Embedded VCA as Standard
- Built-in Microphone



| Model | AIS-NC2983-RPC | AIS-NC5383-PC | AIS-NC8183-PC |
|-------------------|--|--|---|
| Megapixel | 2MP | 5MP | 4K |
| Image Sensor | 1/2.8" Progressive Scan CMOS | 1/2.8" Progressive Scan CMOS | 1/2.8" Progressive Scan CMOS |
| Lens | 2.8mm @ F2.0 / 4mm @ F1.6 / 6mm @ F1.6 | 2.8mm @ F2.0 / 4mm @ F1.6 / 6mm @ F1.6 | 2.8mm @ F2.0 / 4mm @ F1.6 / 6mm @ F1.6 |
| Field of View | H124 / D144 / V68 (2.8mm) | H113 / D143 / V83 (2.8mm) | H124 / D140 / V69 (2.8mm) |
| WDR | Super WDR up to 140dB | Super WDR up to 120dB | Super WDR up to 120dB |
| Max. Frame Rate | 60fps@(1920 x 1080) | 30fps@(2592 x 1944) | 30fps@(3840 x 2160) |
| Min. Illumination | Color: 0.002Lux @ F1.2 B/W: 0Lux with IR on | Color: 0.005Lux @ F1.2 B/W: 0Lux with IR on | Color: 0.01Lux @ F1.2 B/W: 0Lux with IR on |
| Video Compression | H.265 / H.265(HEVC)/H.264/H.264/MJPEG | H.265 / H.265(HEVC)/H.264/H.264/MJPEG | H.265 / H.265(HEVC)/H.264/H.264/MJPEG |
| Protocol | IPv4/IPv6, ARP, TCP, UDP, RTCP, RTP, RTSP, RTMP, HTTP, HTTPS, DNS, DDNS, DHCP, FTP, NTP, SMTP, SNMP, UPnP, Bonjour, SIP, PPPoE, VLAN, 802.1x, QoS, IGMP, ICMP, SSL | | |
| Dimensions/Weight | 97.8mm X 57.9mm / 200g | | |

H.265+ VANDAL-PROOF PRO DOME CAMERA (2/5/8 MP)**H.265+ / IP67 / 3 Axis Mechanical Design / IK10 / PoE****KEY FEATURE**

- 0.002Lux Starlight
- 140dB Super WDR
- Smart IR II With 30m IR Distance
- 120 Wide Angle Viewing Experience
- 60fps High Frame Rate
- Embedded VCA as Standard
- UL Certified



| Model | AIS-NC2973-RPC | AIS-NC5373-PC | AIS-NC8173-PC |
|-------------------|--|--|---|
| Megapixel | 2MP | 5MP | 4K |
| Image Sensor | 1/2.8" Progressive Scan CMOS | 1/2.8" Progressive Scan CMOS | 1/2.8" Progressive Scan CMOS |
| Lens | 2.8mm @ F2.0 / 4mm @ F1.6 | 2.8mm @ F2.0 / 4mm @ F1.6 | 2.8mm @ F2.0 / 4mm @ F1.6 |
| Field of View | H123 / D142 / V68 (2.8mm) | H111 / D141 / V82 (2.8mm) | H124 / D140 / V69 (2.8mm) |
| WDR | 140dB Super WDR | 120dB Super WDR | 120dB Super WDR |
| Max. Frame Rate | 60fps@(1920 x 1080) | 30fps@(2592 x 1944) | 30fps@(3840 x 2160) |
| Min. Illumination | Color: 0.002Lux @ F1.2 B/W: 0Lux with IR on | Color: 0.005Lux @ F1.2 B/W: 0Lux with IR on | Color: 0.01Lux @ F1.2 B/W: 0Lux with IR on |
| Video Compression | H.265+ / H.265(HEVC)/H.264/H.264/MJPEG | H.265 / H.265(HEVC)/H.264/H.264/MJPEG | H.265 / H.265(HEVC)/H.264/H.264/MJPEG |
| Protocol | IPv4/IPv6, ARP, TCP, UDP, RTCP, RTP, RTSP, RTMP, HTTP, HTTPS, DNS, DDNS, DHCP, FTP, NTP, SMTP, SNMP, UPnP, Bonjour, SIP, PPPoE, VLAN, 802.1x, QoS, IGMP, ICMP, SSL | | |
| Dimensions/Weight | 118.5mm X 110.8mm X 65mm / 500g | 118.5mm X 110.8mm X 65mm / 500g | 118.5mm X 110.8mm X 65mm / 500g |

H.265+ WEATHER-PROOF PRO DOME CAMERA (2/5 MP)

H.265+ / 3 Axis Mechanical Design / IP66 / IK10 / Clamshell Design / PoE

**KEY FEATURE**

- 0.002Lux Starlight
- 140dB Super WDR
- Smart IR II With 25m IR Distance
- 120 Wide Angle Viewing Experience
- Integrated Junction Box
- Embedded VCA as Standard
- Built-in Microphone



| Model | AIS-NC2975-RPC | AIS-NC5375-PC |
|-------------------|--|--|
| Megapixel | 2MP | 5MP |
| Image Sensor | 1/2.8" Progressive Scan CMOS | 1/2.8" Progressive Scan CMOS |
| Lens | 2.8mm @ F2.0 / 4mm @ F1.6 | 2.8mm @ F2.0 / 4mm @ F1.6 |
| Field of View | H123 / D142 / V68 (2.8mm) | H113 / D144 / V84 (2.8mm) |
| WDR | Super WDR up to 140dB | Super WDR up to 120dB |
| Max. Frame Rate | 60fps@(1920 x 1080) | 30fps@(2048 x 1536) |
| Min. Illumination | Color: 0.002Lux @ F1.2 B/W: 0Lux with IR on | Color: 0.005Lux @ F1.2 B/W: 0Lux with IR on |
| Video Compression | H.265 / H.265(HEVC)/H.264/H.264/MJPEG | H.265 / H.265(HEVC)/H.264/H.264/MJPEG |
| Protocol | IPv4/IPv6, ARP, TCP, UDP, RTCP, RTP, RTSP, RTMP, HTTP, HTTPS, DNS, DDNS, DHCP, FTP, NTP, SMTP, SNMP, UPnP, Bonjour, SIP, PPPoE, VLAN, 802.1x, QoS, IGMP, ICMP, SSL | |
| Dimensions/Weight | 108mm X 96.5mm / 600g (Junction Box Version) | 106mm X 76.5mm / 410g (Cable Out Version) |

H.265+ AF MOTORIZED PRO DOME CAMERA (2/5 MP)

H.265+ / 3 Axis Mechanical Design / IP66 / IK10 / Clamshell Design / PoE & DC

**KEY FEATURE**

- 0.002Lux Starlight
- 140dB Super WDR
- Smart IR II With 35m IR Distance
- 3X Optical Zoom, Auto Focus
- Integrated Junction Box
- Embedded VCA as Standard
- Built-in Microphone



| Model | AIS-NC2975-AFPC / REPC | AIS-NC5375-AFPC / EPC |
|-------------------|--|--|
| Megapixel | 2MP | 5MP |
| Image Sensor | 1/2.8" Progressive Scan CMOS | 1/2.8" Progressive Scan CMOS |
| Lens | 2.8 - 8.4mm @ F1.8 - F2.7, 3X Optical Zoom | 2.8 - 8.4mm @ F1.8 - F2.7, 3X Optical Zoom |
| Field of View | H123 / D142 / V68 | H113 / D144 / V84 |
| WDR | Super WDR up to 140dB | Super WDR up to 120dB |
| Max. Frame Rate | 60fps@(1920 x 1080) | 30fps@(2048 x 1536) |
| Min. Illumination | Color: 0.002Lux @ F1.2 B/W: 0Lux with IR on | Color: 0.005Lux @ F1.2 B/W: 0Lux with IR on |
| Video Compression | H.265 / H.265(HEVC)/H.264/H.264/MJPEG | H.265 / H.265(HEVC)/H.264/H.264/MJPEG |
| Protocol | IPv4/IPv6, ARP, TCP, UDP, RTCP, RTP, RTSP, RTMP, HTTP, HTTPS, DNS, DDNS, DHCP, FTP, NTP, SMTP, SNMP, UPnP, Bonjour, SIP, PPPoE, VLAN, 802.1x, QoS, IGMP, ICMP, SSL | |
| Dimensions/Weight | 108mm X 96.5mm / 620g | 108mm X 96.5mm / 620g |

H.265+ PRO BULLET CAMERA (2/5/8 MP)**H.265+ / 3 Axis Mechanical Design / IP67 / IK10 / SIP**

ONVIF | G | Q | S | T

**KEY FEATURE**

- 0.002Lux Starlight
- 140dB Super WDR
- Smart IR II With 50m IR Distance
- 120 Wide Angle Viewing Experience
- 60fps High Frame Rate
- Embedded VCA as Standard
- Unique Sunshield Design



| Model | AIS-NC2963-RPC | AIS-NC5363-PC | AIS-NC8163-PC |
|-------------------|--|--|---|
| Megapixel | 2MP | 5MP | 4K |
| Image Sensor | 1/2.8" Progressive Scan CMOS | 1/2.8" Progressive Scan CMOS | 1/2.8" Progressive Scan CMOS |
| Lens | 4mm / 2.8 mm / 6mm @ F1.6 | 4mm / 2.8 mm / 6mm @ F1.6 | 4mm / 2.8 mm / 6mm @ F1.6 |
| Field of View | H91 / D106 / V50 (4mm) | H86 / D708 / V63 (4mm) | H91 / D106 / V50 (4mm) |
| WDR | Super WDR 140dB | Super WDR 120dB | Super WDR 120dB |
| Max. Frame Rate | 60fps@(1920 x 1080) | 30fps@(2592 x 1944) | 30fps@(3840 x 2160) |
| Min. Illumination | Color: 0.002Lux @ F1.2 B/W: 0Lux with IR on | Color: 0.005Lux @ F1.2 B/W: 0Lux with IR on | Color: 0.01Lux @ F1.2 B/W: 0Lux with IR on |
| Video Compression | H.265+ / H.265(HEVC)/H.264/H.264/MJPEG | H.265+ / H.265(HEVC)/H.264/H.264/MJPEG | H.265+ / H.265(HEVC)/H.264/H.264/MJPEG |
| Protocol | IPv4/IPv6, ARP, TCP, UDP, RTCP, RTP, RTSP, RTMP, HTTP, HTTPS, DNS, DDNS, DHCP, FTP, NTP, SMTP, SNMP, UPnP, Bonjour, SIP, PPPoE, VLAN, 802.1x, QoS, IGMP, ICMP, SSL | | |
| Dimensions/Weight | 76mm X 214.5mm / 750g | 76mm X 214.5mm / 750g | 76mm X 214.5mm / 750g |

H.265+ VANDAL-PROOF PRO BULLET CAMERA (2/5/8 MP)**H.265+ / IP67 / 3 Axis Mechanical Design / IK10 / PoE**

ONVIF | G | Q | S | T

**KEY FEATURE**

- 0.002Lux Starlight
- 140dB Super WDR
- Smart IR II With 30m IR Distance
- 120 Wide Angle Viewing Experience
- 60fps High Frame Rate
- Embedded VCA as Standard
- UL Certified



| Model | AIS-NC2964-RPC | AIS-NC5364-PC | AIS-NC8164-PC |
|-------------------|--|---|---|
| Megapixel | 2MP | 5MP | 4K |
| Image Sensor | 1/2.8" Progressive Scan CMOS | 1/2.8" Progressive Scan CMOS | 1/2.8" Progressive Scan CMOS |
| Lens | 2.8 mm / 4mm / 6mm @ F1.6 | 2.8 mm / 4mm / 6mm @ F1.6 | 2.8 mm / 4mm / 6mm @ F1.6 |
| Field of View | H123 / D142 / V68 (2.8mm) | H111 / D141 / V82 (2.8mm) | H124 / D140 / V69 (2.8mm) |
| WDR | 140dB Super WDR | 120dB Super WDR | 120dB Super WDR |
| Max. Frame Rate | 60fps@(1920 x 1080) | 30fps@(2592 x 1944) | 30fps@(3840 x 2160) |
| Min. Illumination | Color: 0.002Lux @ F1.2 B/W: 0Lux with IR on | Color: 0.005Lux @ F1.2 B/W: 0Lux with IR on | Color: 0.01Lux @ F1.2 B/W: 0Lux with IR on |
| Video Compression | H.265+ / H.265(HEVC)/H.264/H.264/MJPEG | H.265+ / H.265(HEVC)/H.264/H.264/MJPEG | H.265+ / H.265(HEVC)/H.264/H.264/MJPEG |
| Protocol | IPv4/IPv6, ARP, TCP, UDP, RTCP, RTP, RTSP, RTMP, HTTP, HTTPS, DNS, DDNS, DHCP, FTP, NTP, SMTP, SNMP, UPnP, Bonjour, SIP, PPPoE, VLAN, 802.1x, QoS, IGMP, ICMP, SSL | | |
| Dimensions/Weight | 64mm X 160mm / 450g (Cable Out Version) | 97mm X 74mm X 180mm / 610g (Junction Box Version) | |

H.265+ VANDAL-PROOF MOTORIZED PRO BULLET CAMERA (2/5/8 MP)

H.265+ / 3 Axis Mechanical Design / IP67 / IK10 / PoE & DC / SIP



KEY FEATURE

- Motorized Zoom Lens
- 0.001Lux Starlight
- 3 in 1 Super WDR - 140dB
- 60fps High Frame Rate
- Smart IR II with 50m IR Distace
- Embedded VCA as Standard
- Intrgrated Sunshield Design



| Model | AIS-NC2964-MPC / R(T)F(I)PC | AIS-NC5364-MPC / F(I)PC | AIS-NC8164-MPC / F(I)PC |
|-------------------|--|--|---|
| Megapixel | 2MP | 5MP | 4K |
| Image Sensor | 1/2" Progressive Scan CMOS | 1/2.8" Progressive Scan CMOS | 1/2.8" Progressive Scan CMOS |
| Lens | Motorized 3.6-10mm @ f1.4 P-Iris | Motorized 2.7-13.5mm @ f1.4 P-Iris | Motorized 2.7-13.5mm @ f1.4 P-Iris |
| Field of View | H99-H44 / D114-D50 / V56-V24 | H88-H32 / D102-D37 / V49-V18 (2.7-13.5mm) | H93-H32 / D109-D37 / V52-V18 |
| WDR | 140dB Super WDR | 120dB Super WDR | 120dB Super WDR |
| Max. Frame Rate | 60fps@(1920 x 1080) | 30fps@(2592 x 1944) | 15fps@(3840 x 2160) |
| Min. Illumination | Color: 0.001Lux @ F1.2 B/W: 0Lux with IR on | Color: 0.002Lux @ F1.2 B/W: 0Lux with IR on | Color: 0.01Lux @ F1.2 B/W: 0Lux with IR on |
| Video Compression | H.265+ / H.265(HEVC)/H.264/H.264/MJPEG | H.265+ / H.265(HEVC)/H.264/H.264/MJPEG | H.265+ / H.265(HEVC)/H.264/H.264/MJPEG |
| Protocol | IPv4/IPv6, ARP, TCP, UDP, RTCP, RTP, RTSP, RTMP, HTTP, HTTPS, DNS, DDNS, DHCP, FTP, NTP, SMTP, SNMP, UPnP, Bonjour, SIP, PPPoE, VLAN, 802.1x, QoS, IGMP, ICMP, SSL | | |
| Dimensions/Weight | 76mm X 239.5mm / 825g | 76mm X 239.5mm / 825g | 76mm X 239.5mm / 825g |

ADVANCED MOTORIZED LENS

With flexible motorized lens (2.7~13.5mm), the camera is able to capture distant objects rather than fixing on the specific scene with no flexibility. The ultra wide angle lens brings wider field of view to broaden horizons, leaving the narrow viewing experience behind.



INTEGRATED JUNCTION BOX

The well-designed Integrated Junction Box especially the Clamshell structure ensures efficient and simple installation. It enlarges the space to make cable connection neat and as easy as a piece of cake.



SMART IR II TECHNOLOGY

Two High Beam LEDs and two Low Beam LEDs, whose brightness can be adjusted manually or automatically on the basis of the zoom ratio, are used for better night image clarity and quality regardless of the object distance.





PRO PLUS SERIES

STATE OF THE ART HIGH DEFINITION

H.265+
HEVC

H.265+

Profile GSI
Onvif

ONVIF

VCA

VCA

PoE

PoE

Defog

Defog

WDR
Pro

Super
WDR Pro

256GB

256GB

SIP

SIP

Plugin-free

Plugin-free

Cyber
Security

Cyber
Security

H.265+ MOTORIZED PRO PLUS DOME CAMERA (2/5/8 MP)

H.265+ / Motorized Zoom Lens / 3 Axis Mechanical Design / IP66 / IK10 / SIP



KEY FEATURE

- 0.002Lux Starlight
- 140dB Super WDR
- Smart IR II With 30m IR Distance
- 120 Wide Angle Viewing Experience
- 60fps High Frame Rate
- Embedded VCA as Standard
- UL Certified



| Model | AIS-NC2972-MPD / R(T)F(I)PC | AIS-NC5372-MPD / F(I)PC | AIS-NC8172-MPD / F(I)PC |
|-------------------|--|--|---|
| Megapixel | 2MP | 5MP | 4K |
| Image Sensor | 1/2." Progressive Scan CMOS | 1/2.8" Progressive Scan CMOS | 1/2.8" Progressive Scan CMOS |
| Lens | Motorized 3.6-10mm @ f1.4 P-Iris | Motorized 3.0-10.5mm @ f1.4 P-Iris | Motorized 2.7-13.5mm @ f1.4 P-Iris |
| Field of View | H123 / D142 / V68 (2.8mm) | H111 / D141 / V82 (2.8mm) | H124 / D140 / V69 (2.8mm) |
| WDR | 140dB Super WDR | 120dB Super WDR | 120dB Super WDR |
| Max. Frame Rate | 60fps@(1920 x 1080) | 30fps@(2592 x 1944) | 30fps@(3840 x 2160) |
| Min. Illumination | Color: 0.002Lux @ F1.2 B/W: 0Lux with IR on | Color: 0.005Lux @ F1.2 B/W: 0Lux with IR on | Color: 0.01Lux @ F1.2 B/W: 0Lux with IR on |
| Video Compression | H.265+ / H.265(HEVC)/H.264/H.264/MJPEG | H.265+ / H.265(HEVC)/H.264/H.264/MJPEG | H.265+ / H.265(HEVC)/H.264/H.264/MJPEG |
| Protocol | IPv4/IPv6, ARP, TCP, UDP, RTP, RTSP, RTMP, HTTP, HTTPS, DNS, DDNS, DHCP, FTP, NTP, SMTP, SNMP, UPnP, Bonjour, SIP, PPPoE, VLAN, 802.1x, QoS, IGMP, ICMP, SSL | | |
| Dimensions/Weight | 143mm X 108.4mm / 1100g | 143mm X 108.4mm / 1100g | 143mm X 108.4mm / 1100g |

H.265+ MOTORIZED PRO PLUS BULLET CAMERA (2/5/8 MP)

H.265+ / Motorized Zoom Lens / 3 Axis Mechanical Design / IP67 / IK10 / SIP



KEY FEATURE

- 1/1.8 STARVIS Starlight Sensor
- 0.001Lux Starlight
- 3 in 1 Super WDR - 140dB
- 120fps High Frame Rate
- Smart IR II with 50m IR Distace
- Embedded VCA as Standard
- Intrgrated Sunshield Design



| Model | AIS-NC2962-MPD / R(T)F(I)PC | AIS-NC5362-MPD / F(I)PC | AIS-NC8162-MPD / F(I)PC |
|-------------------|--|--|---|
| Megapixel | 2MP | 5MP | 4K |
| Image Sensor | 1/2" Progressive Scan CMOS | 1/2.8" Progressive Scan CMOS | 1/1.8" Progressive Scan CMOS |
| Lens | Motorized 3.6-10mm @ f1.4 P-Iris | Motorized 3.0-10.5mm @ f1.4 P-Iris | Motorized 3.6-10mm @ f1.4 P-Iris |
| Field of View | H96-H42 / D111-D48 / V55-V23 | H93-H32 / D107-D38 / V52-V18 | H110-H46 / D126-D54 / V61-V25 |
| WDR | 140dB Super WDR | 140dB Super WDR | 120dB Super WDR |
| Max. Frame Rate | 60fps@(1920 x 1080) | 30fps@(2592 x 1944) | 15fps@(3840 x 2160) |
| Min. Illumination | Color: 0.001Lux @ F1.2 B/W: 0Lux with IR on | Color: 0.002Lux @ F1.2 B/W: 0Lux with IR on | Color: 0.01Lux @ F1.2 B/W: 0Lux with IR on |
| Video Compression | H.265+ / H.265(HEVC)/H.264/H.264/MJPEG | H.265+ / H.265(HEVC)/H.264/H.264/MJPEG | H.265+ / H.265(HEVC)/H.264/H.264/MJPEG |
| Protocol | IPv4/IPv6, ARP, TCP, UDP, RTP, RTSP, RTMP, HTTP, HTTPS, DNS, DDNS, DHCP, FTP, NTP, SMTP, SNMP, UPnP, Bonjour, SIP, PPPoE, VLAN, 802.1x, QoS, IGMP, ICMP, SSL | | |
| Dimensions/Weight | 134mm X 126mm X 285 / 1080g | 134mm X 126mm X 285 / 1080g | 134mm X 126mm X 285 / 1080g |

12X H.265+ AF MOTORIZED PRO PLUS BULLET CAMERA (2/5 MP)

H.265+ / Motorized Zoom Lens / 3 Axis Mechanical Design / IP67 / IK10 / SIP



KEY FEATURE

- 12X Optical Zoom, Auto Focus
- 0.002Lux Starlight
- 3 in 1 Super WDR - 140dB
- 120fps High Frame Rate
- Smart IR II with 120m IR Distace
- Embedded VCA as Standard
- Intrgrated Sunshield Design



| Model | AIS-NC2966-AFPD / R(T)F(I)PC | AIS-NC5366-AFPD / F(I)PC |
|-------------------|--|--|
| Megapixel | 2MP | 5MP |
| Image Sensor | 1/2.8" Progressive Scan CMOS | 1/2.8" Progressive Scan CMOS |
| Lens | 5.3- 64mm, 12X Optical Zoom | 5.3- 64mm, 12X Optical Zoom |
| Field of View | H61 - H5 / D69 - D5 / V36 - V2 | H57 - H4 / D69 - D5 / V44 - V1 |
| WDR | Super WDR up to 140dB | Super WDR up to 120dB |
| Max. Frame Rate | 60fps@(1920 x1080) | 30fps@(2048 x 1536) |
| Min. Illumination | Color: 0.002Lux @ F1.2 B/W: 0Lux with IR on | Color: 0.005Lux @ F1.2 B/W: 0Lux with IR on |
| Video Compression | H.265+ / H.265(HEVC)/H.264/H.264/MJPEG | H.265+ / H.265(HEVC)/H.264/H.264/MJPEG |
| Protocol | IPv4/IPv6, ARP, TCP, UDP, RTCP, RTP, RTSP, RTMP, HTTP, HTTPS, DNS, DDNS, DHCP, FTP, NTP, SMTP, SNMP, UPnP, Bonjour, SIP, PPPoE, VLAN, 802.1x, QoS, IGMP, ICMP, SSL | |
| Dimensions/Weight | 134mm X 126mm X 285mm / 1080g | 134mm X 126mm X 285mm / 1080g |

H.265+ VANDAL-PROOF MOTORIZED BULLET CAMERA (2/5/8 MP)

H.265+ / 3 Axis Mechanical Design / IP67 / IK10 / PoE & DC / SIP



KEY FEATURE

- 0.001Lux Starlight
- 3 in 1 Super WDR - 140dB
- 120fps High Frame Rate
- Smart IR II with 140m IR Distace
- Embedded VCA as Standard
- Intrgrated Sunshield Design
- Powerful Auto Back Focus



| Model | AIS-NC2952-(PD/PA/TPC) | AIS-NC5352-(PD/PA/PC) | AIS-NC8152-(PD/PA/PC) |
|-------------------|--|--|---|
| Megapixel | 2MP | 5MP | 4K |
| Image Sensor | 1/2" Progressive Scan CMOS | 1/2.8" Progressive Scan CMOS | 1/2.8" Progressive Scan CMOS |
| Mount & Iris | C/CS & P-Iris / DC-Iris | C/CS & P-Iris / DC-Iris | C/CS & P-Iris / DC-Iris |
| WDR | 140dB Super WDR | 120dB Super WDR | 120dB Super WDR |
| Max. Frame Rate | 60fps@(1920 x 1080) | 30fps@(2592 x 1944) | 30fps@(3840 x 2160) |
| Min. Illumination | Color: 0.001Lux @ F1.2 B/W: 0Lux with IR on | Color: 0.002Lux @ F1.2 B/W: 0Lux with IR on | Color: 0.01Lux @ F1.2 B/W: 0Lux with IR on |
| Video Compression | H.265+ / H.265(HEVC)/H.264/H.264/MJPEG | H.265+ / H.265(HEVC)/H.264/H.264/MJPEG | H.265+ / H.265(HEVC)/H.264/H.264/MJPEG |
| Protocol | IPv4/IPv6, ARP, TCP, UDP, RTCP, RTP, RTSP, RTMP, HTTP, HTTPS, DNS, DDNS, DHCP, FTP, NTP, SMTP, SNMP, UPnP, Bonjour, SIP, PPPoE, VLAN, 802.1x, QoS, IGMP, ICMP, SSL | | |
| Dimensions/Weight | 115mm X 62mm X 50mm / 407g | 115mm X 62mm X 50mm / 407g | 115mm X 62mm X 50mm / 407g |



PTZ AND PANORAMIC SERIES

STATE OF THE ART HIGH DEFINITION



H.265+



ONVIF



VCA



PoE



Defog



256G



SIP



Plugin-free



Cyber
Security

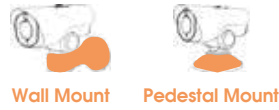
H.265+ 12X PTZ BULLET CAMERA (2/5 MP)

H.265+ / PTZ Privacy Mask / 3D Positioning / IP66 / SIP



KEY FEATURE

- 360 Endless Pan & 75 Tilt
- 12X Optical Zoom
- Smart IR II With 140m IR Distance
- PTZ Auto Tracking
- Integrated White LED
- Embedded VCA as Standard
- 0.002Lux Starlight



| Model | AIS-NC2961-X12PD / R(T)PC | AIS-NC5361-X12PD / PC |
|-------------------|--|--|
| Megapixel | 2MP | 5MP |
| Image Sensor | 1/2.8" Progressive Scan CMOS | 1/2.8" Progressive Scan CMOS |
| Lens | 5.3 - 66mm @ F1.6 - F2.8, 12X Optical Zoom | 5.3 - 66mm @ F1.6 - F2.8, 12X Optical Zoom |
| Field of View | H61- H5 / D69 - D5 / V36 - V2 | H57 - H4 / D69 - D5 / V44 - V1 |
| WDR | Super WDR up to 140dB | Super WDR up to 120dB |
| Tilt Range | 360 Endless: Pan Manual Speed: 0.2 - 60/s | 360 Endless: Pan Manual Speed: 0.2 - 60/s |
| Pan Speed | -45 -30: Tilt Manual Speed 0.2 - 30/s | -45 -30: Tilt Manual Speed 0.2 - 30/s |
| Min. Illumination | Color: 0.002Lux @ F1.2 B/W: 0Lux with IR on | Color: 0.005Lux @ F1.2 B/W: 0Lux with IR on |
| Video Compression | H.265+ / H.265(HEVC)/H.264/H.264/MJPEG | H.265+ / H.265(HEVC)/H.264/H.264/MJPEG |
| Protocol | IPv4/IPv6,ARP,TCP,UDP,RTCP,RTP,RTSP,RTMP,HTTP,HTTPS,DNS,DDNS,DHCP,FTP,NTP,SMTP,SNMP,UPnP,Bonjour,SIP,PPPoE,VLAN,802.1x,QoS,IGMP,ICMP,SSL | |
| Dimensions/Weight | 160mm X 273.5mm X 210mm / 2Kg (Wall Mount) | 218mm X 120mm X 1.8Kg (Pedestal Mount) |

12X / 20X / 23X H.265+ PTZ DOME CAMERA (2/5/8 MP)

H.265+ / PTZ Privacy Mask / 3D Positioning / IP66 / SIP



KEY FEATURE

- 0.002Lux Starlight
- 140dB Super WDR
- Smart IR II With 20m IR Distance
- 120 Wide Angle Viewing Experience
- 60fps High Frame Rate
- Embedded VCA as Standard



| Model | AIS-NC2971-X12PD / R(T)PC | AIS-NC5371-X12PD / PC | AIS-NC8271-X20PD / PC |
|-------------------|--|---|---|
| Megapixel | 2MP | 5MP | 4K |
| Image Sensor | 1/2.8" Progressive Scan CMOS | 1/2.8" Progressive Scan CMOS | 1/2.8" Progressive Scan CMOS |
| Lens | 2.8mm @ F2.0 / 4mm @ F1.6 / 6mm @ F1.6 | 2.8mm @ F2.0 / 4mm @ F1.6 / 6mm @ F1.6 | 2.8mm @ F2.0 / 4mm @ F1.6 / 6mm @ F1.6 |
| Field of View | H124 / D144 / V68 (2.8mm) | H113 / D143 / V83 (2.8mm) | H124 / D140 / V69 (2.8mm) |
| WDR | Super WDR up to 140dB | Super WDR up to 120dB | Super WDR up to 120dB |
| Max. Frame Rate | 30fps@(1920 x 1080) 60fps@(1920 x 1080)(Optional for R Series) | 20fps@(2592 x 1944) 30fps@(2592 x 1944)(Optional for H Series) | 15fps@(3840 x 2160) |
| Min. Illumination | Color: 0.002Lux @ F1.2 B/W: 0Lux with IR on | Color: 0.005Lux @ F1.2 B/W: 0Lux with IR on | Color: 0.01Lux @ F1.2 B/W: 0Lux with IR on |
| Video Compression | H.265+ / H.265(HEVC)/H.264/H.264/MJPEG | H.265+ / H.265(HEVC)/H.264/H.264/MJPEG | H.265+ / H.265(HEVC)/H.264/H.264/MJPEG |
| Protocol | IPv4/IPv6,ARP,TCP,UDP,RTCP,RTP,RTSP,RTMP,HTTP,HTTPS,DNS,DDNS,DHCP,FTP,NTP,SMTP,SNMP,UPnP,Bonjour,SIP,PPPoE,VLAN,802.1x,QoS,IGMP,ICMP,SSL | | |
| Dimensions/Weight | 97.8mm X 57.9mm / 200g | 97.8mm X 57.9mm / 200g | 97.8mm X 57.9mm / 200g |

23X / 30X / H.265+ SPEED DOME CAMERA (2/5 MP)

H.265+ / PTZ Privacy Mask / 3D Positioning / IP66 / IK10 / SIP / PoE

**KEY FEATURE**

- 360 Endless Pan & 90 Auto-Filp Tilt
- 23 X 30 X Optical Zoom
- Smart IR II Withup to 200m IR Distance
- 120 Wide Angle Viewing Experience
- 140fps Super WDR
- Embedded VCA as Standard
- 0.002Lux Starlight



| Model | AIS-NC2941-X23PC / R(T)PC | AIS-NC5341-X23PC |
|-------------------|--|--|
| Megapixel | 2MP | 5MP |
| Image Sensor | 1/2.8" Progressive Scan CMOS | 1/2.8" Progressive Scan CMOS |
| Lens | 5.0 - 117mm @ F1.5 - F3.5, 23X Optical Zoom | 5.0 - 141mm @ F1.5 - F4.0, 23X Optical Zoom |
| Field of View | H61- H5 / D69 - D5 / V36 - V2 | H57 - H4 / D71 - D3 / V44 - V2 |
| WDR | Super WDR up to 140dB | Super WDR up to 120dB |
| Tilt Range | 360 Endless: Pan Manual Speed: 0.2 - 60/s | 360 Endless: Pan Manual Speed: 0.2 - 60/s |
| Pan Speed | -45 -30: Tilt Manual Speed 0.2 - 30/s | -45 -30: Tilt Manual Speed 0.2 - 30/s |
| Min. Illumination | Color: 0.002Lux @ F1.2 B/W: 0Lux with IR on | Color: 0.005Lux @ F1.2 B/W: 0Lux with IR on |
| Video Compression | H.265+ / H.265(HEVC)/H.264/H.264/MJPEG | H.265+ / H.265(HEVC)/H.264/H.264/MJPEG |
| Protocol | IPv4/IPv6,ARP,TCP,UDP,RTCP,RTP,RTSP,RTMP,HTTP,HTTPS,DNS,DDNS,DHCP,FTP,NTP,SMTP,SNMP,UPnP,Bonjour,SIP,PPPoE,VLAN,802.1x,QoS,IGMP,ICMP,SSL | |
| Dimensions/Weight | 205mm X 308mm / 4Kg | 205mm X 308mm / 4Kg |

36X / 42X / H.265+ SPEED DOME CAMERA (2/5/8 MP)

H.265+ / PTZ Privacy Mask / 3D Positioning / IP66 / IK10 / SIP / PoE

**KEY FEATURE**

- 360 Endless Pan & 90 Auto-Filp Tilt
- 36 X 42 X Optical Zoom
- Smart IR II With up to 300m IR Distance
- 1/1.8 Starvis Starlight Sensor
- 140fps Super WDR
- Embedded VCA as Standard
- Pan Speed 400/s,Tilt Speed 350/s



| Model | AIS-NC2941-X42PC / R(T)PC | AIS-NC5341-X42PC | AIS-NC8241-X42PC |
|-------------------|--|--|---|
| Megapixel | 2MP | 5MP | 4K |
| Image Sensor | 1/2" Progressive Scan CMOS | 1/2.8" Progressive Scan CMOS | 1/1.8" Progressive Scan CMOS |
| Lens | 5.0 - 205.2mm 41X Optical Zoom | 5.7 - 205.2mm 41X Optical Zoom | 7.0 - 300mm 41X Optical Zoom |
| Field of View | H93-H3 / D69-D3 / V38-V1 | H45-H2 / D50-D2 / V27-V1 | H66-H3 / D72-D3 / V41-V1 |
| WDR | 140dB Super WDR | 140dB Super WDR | 120dB Super WDR |
| Max. Frame Rate | 90fps@(1920 x 1080) 60fps@(1920 x 1080) | 60fps@(2592 x 1944) 30fps@(2592 x 1944) | 30fps@(3840 x 2160) |
| Min. Illumination | Color: 0.001Lux @ F1.2 B/W: 0Lux with IR on | Color: 0.002Lux @ F1.2 B/W: 0Lux with IR on | Color: 0.01Lux @ F1.2 B/W: 0Lux with IR on |
| Video Compression | H.265+ / H.265(HEVC)/H.264/H.264/MJPEG | H.265+ / H.265(HEVC)/H.264/H.264/MJPEG | H.265+ / H.265(HEVC)/H.264/H.264/MJPEG |
| Protocol | IPv4/IPv6,ARP,TCP,UDP,RTCP,RTP,RTSP,RTMP,HTTP,HTTPS,DNS,DDNS,DHCP,FTP,NTP,SMTP,SNMP,UPnP,Bonjour,SIP,PPPoE,VLAN,802.1x,QoS,IGMP,ICMP,SSL | | |
| Dimensions/Weight | 205mm X 308mm / 4kg | 205mm X 308mm / 4kg | 205mm X 308mm / 4kg |

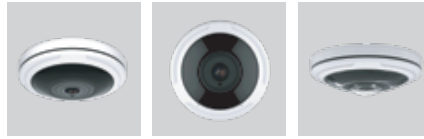
H.265+360 PANORAMIC FISHEYE CAMERA (5/12 MP)

H.265+ / Stunning Dewarping / 9 Display Model / IP67 / SIP



KEY FEATURE

- 360 Panoramic Veiw
- On-board and Client-Side Dewarping
- Smart IR II With 15m IR Distance
- Fisheye Auto Tracking
- Advanced Heat Map
- Embedded VCA as Standard
- 0.005Lux Starlight



| Model | AIS-NC5374-(PD/PA/PC) | AIS-NC9674-(PD/PA/PC) |
|-------------------|--|---|
| Megapixel | 5MP | 12MP |
| Image Sensor | 1/2.8" Progressive Scan CMOS | 1/1.7" Progressive Scan CMOS |
| Lens | 1.25mm @ F2.0 | 1.98mm @ F2.8 |
| Field of View | Celling Mount: 360, Wall Mount: 180, Flat Mount: 360 | Celling Mount: 360, Wall Mount: 180, Flat Mount: 360 |
| WDR | 120dB Super WDR | 120dB Super WDR |
| Display Mode | Fisheye Veiw 360 Panoramic View, 180 Panoramic View 4PTZ, Fisheye + 3PTZ +Panoramic View | Fisheye Veiw 360 Panoramic View, 180 Panoramic View 4PTZ, Fisheye + 3PTZ +Panoramic View |
| Min. Illumination | Color: 0.005Lux @ F1.2 B/W: 0Lux with IR on | Color: 0.001Lux @ F1.2 B/W: 0Lux with IR on |
| Video Compression | H.265 / H.265+(HEVC)/H.264+/H.264/MJPEG | H.265 / H.265+(HEVC)/H.264+/H.264/MJPEG |
| Protocol | IPv4/IPv6,ARP,TCP,UDP,RTCP,RTP,RTSP,RTMP,HTTP,HTTPS,DNS,DDNS,DHCP,FTP,NTP,SMTP,SNMP,UPnP,Bonjour,SIP,PPPoE,VLAN,802.1x,QoS,IGMP,ICMP,SSL | |
| Dimensions/Weight | 140mm X 45.4mm / 1100g | 140mm X 45.4mm / 1100g |

12X / 20X / 23X H.265+ PTZ Dome Camera (5/8 MP)

H.265+ / PTZ Privacy Mask / 3D Postitoning / IP66 / SIP



KEY FEATURE

- 180 Panoramic View
- 120dB Super WDR
- Smart IR II With 15m IR Distance
- 120 Wide Angle Viewing Experience
- Advanced Super Map
- Embedded VCA as Standard



| Model | AIS-NC5365-(PD/PA/PC) | AIS-NC8165-(PD/PA/PC) |
|-------------------|--|---|
| Megapixel | 5MP | 4K |
| Image Sensor | 1/2.8" Progressive Scan CMOS | 1/2.8" Progressive Scan CMOS |
| Lens | 1.68mm @ F2.0 | 1.68mm @ F2.0 |
| Field of View | H180 / V95 | H180 / V86 |
| WDR | Super WDR up to 120dB | Super WDR up to 120dB |
| Max. Frame Rate | 30fps@(1920 x 1080) | 15fps@(3840 x 2160) |
| Min. Illumination | Color: 0.005Lux @ F1.2 B/W: 0Lux with IR on | Color: 0.01Lux @ F1.2 B/W: 0Lux with IR on |
| Video Compression | H.265+ / H.265(HEVC)/H.264/H.264/MJPEG | H.265+ / H.265(HEVC)/H.264/H.264/MJPEG |
| Protocol | IPv4/IPv6,ARP,TCP,UDP,RTCP,RTP,RTSP,RTMP,HTTP,HTTPS,DNS,DDNS,DHCP,FTP,NTP,SMTP,SNMP,UPnP,Bonjour,SIP,PPPoE,VLAN,802.1x,QoS,IGMP,ICMP,SSL | |
| Dimensions/Weight | 95.8mm X 75mm X 158.5mm / 360g | 95.8mm X 75mm X 158.5mm / 360g |

H.265+180 PANORAMIC DOME CAMERA (5/8 MP)

H.265+ / Stunning Dewarping / PoE&DC / IP67 / SIP / 256G



KEY FEATURE

- 180 Panoramic Veiw
- Smart IR II With 20m IR Distance
- 120dB Super WDR
- Advanced Heat Map
- Embedded VCA as Standard
- 0.005Lux Starlight
- Built in Microphone



| Model | AIS-NC5367-(PD/PA/PC) | AIS-NC8176-(PD/PA/PC) |
|-------------------|--|--|
| Megapixel | 5MP | 4K |
| Image Sensor | 1/2.8" Progressive Scan CMOS | 1/2.8" Progressive Scan CMOS |
| Lens | 1.68mm @ F2.0 | 1.68mm @ F2.0 |
| Field of View | H180 / V95 | H180 / V86 |
| WDR | 120dB Super WDR | 120dB Super WDR |
| Display Mode | 30fps@(2592 x 1944) | 15fps@(3840 x 2160) |
| Min. Illumination | Color: 0.005Lux @ F1.2 B/W: 0Lux with IR on | Color: 0.001Lux @ F1.2 B/W: 0Lux with IR on |
| Video Compression | H.265+ / H.265(HEVC)/H.264+/H.264/MJPEG | H.265+ / H.265(HEVC)/H.264+/H.264/MJPEG |
| Protocol | IPV4/IPV6,ARP,TCP,UDP,RTCP, RTP,RTSP,RTMP,HTTP,HTTPS,DNS,DDNS,DHCP,FTP,NTP,SMTP,SNMP,UPnP,Bonjour,SIP,PPPoE,VLAN,802.1x,QoS,IGMP | |
| Dimensions/Weight | 127mm X 107mm / 630g | 127mm X 107mm / 630g |

LICENSE PLATE RECOGNITION SERIES

RELATED PRODUCTS:



LPR H.265+ MINI BULLET NETWORK CAMERA



LPR H.265+ VANDAL-PROOF MOTORIZED MINI BULLET NETWORK CAMERA



LPR H.265+MOTORIZED PRO BULLET NETWORK CAMERA



LPR 12X H.265+AF MOTORIZED PRO BULLET NETWORK CAMERA



LPR H.265+ABF PRO BOX NETWORK CAMERA



LPR 12X H.265+ MINI PTZ BULLET NETWORK CAMERA



SCENE REQUIREMENTS:



License plate is more than 130px in width



License plate is readable



Vertical angle is less than 30°



Horizontal angle is no more than 30°












Tilt angle is less than 5°



AI 5G SERIES

STATE OF THE ART HIGH DEFINITION

-  H.265+
HEVC
-  Profile GSI
Onvif
-  VCA
-  PoE
-  Defog
-  256G
-  SIP
-  Plugin-free
-  Cyber Security

H.265+ 5G AI PRO BULLET LITE CAMERA (2/8 MP)**5G / H.265+ / 3 Axis Mechanical Design / PoE & DC / 3 IN 1 SUPER WDR**

ONVIF | G Q S T

KEY FEATURE

- AI Deep Learning
- 5G Technology
- 4X/12X Optical Zoom, Auto Focus
- 0.002Lux Starlight
- 3 in 1 Super WDR - 14dB
- 100fps High Frame Rate
- Smart IR with 150m IR Distance
- Integrated Junction Box



| Model | AIS-NC2966-X12R(T)GPC | | AIS-NC8266-X4GPC | |
|-----------------------------|--|------------------------|---|--|
| Megapixel | 2MP | | 4K | |
| Image Sensor | 1/2.8 Progressive Scan CMOS | | 1/2.8 Progressive Scan CMOS | |
| Lens | 5.3~64mm, 12X Optional Zoom | | 8~32mm, 4X Optional Zoom | |
| Field of View | H61° ~ H5° / D69° ~ D5° / V36° ~ V2° | | H44° ~ H13° / D51° ~ D15° / V25° ~ V7° | |
| Max. Frame Rate | 60fps@(1920 x 1080) | | 30fps@(3840 x 2160) | |
| Mobile Communication | Support 5G/4G/3G | | Support 5G/4G/3G | |
| Wireless Communication | n1/n2/n3/n5/n7/n8/n12/n66/n71/n77/n79 | | n1/n2/n3/n5/n7/n8/n12/n66/n71/n77/n79 | |
| Frequency Bands | 5G | DL 3.3Gbps: UL 250Mbps | DL 3.3Gbps: UL 250Mbps | |
| Wireless Transmission Speed | SA | DL 3.4Gbps: UL 200Mbps | DL 3.4Gbps: UL 200Mbps | |
| SIM Card | NSA | Nano Sim | Nano Sim | |
| Protocol | IPv4/IPv6, ARP, TCP, UDP, RTCP, RTP, RTSP, RTMP, HTTP, HTTPS, DNS, DDNS, DHCP, FTP, NTP, SMTP, SNMP, UPnP, Bonjour, SIP, PPPoE, VLAN, 802.1x, QoS, IGMP, ICMP, SSL | | | |
| Dimensions/Weight | 320mm X 134mm X 126mm/1608G | | 320mm X 134mm X 292mm/1608G (5G Antennas) | |

H.265+ 5G AIOT PRO BULLET LITE CAMERA (2/8 MP)**5G / IoT/ H.265+ / 3 Axis Mechanical Design / PoE&DC / 3 IN 1 SUPER WDR**

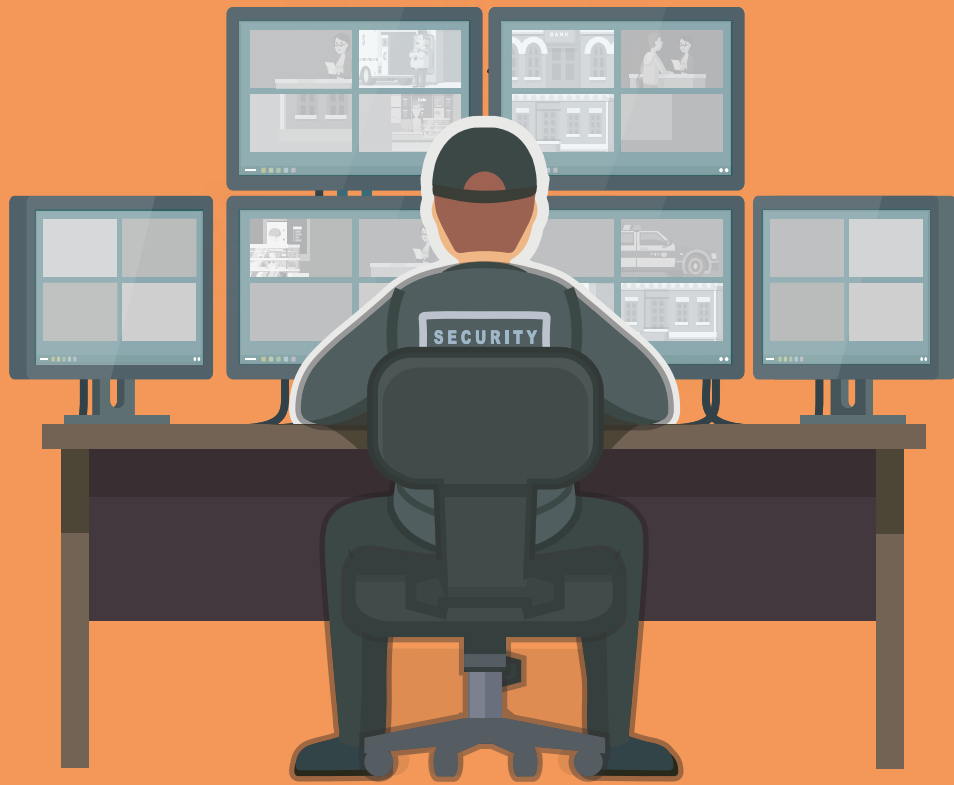
ONVIF | G Q S T

KEY FEATURE

- AI Deep Learning
- 5g Technology
- 0.002Lux Starlight
- 4X/12X Optical Zoom, Auto Focus
- 3 in 1 Super WDR - 14dB
- 100fps High Frame Rate
- Smart IR with 150m IR Distance
- Integrated Junction Box



| Model | AIS-NC2966-X12R(T)GPC | | AIS-NC8266-X4GPC | |
|-----------------------------|--|------------------------|--|--|
| Megapixel | 2MP | | 4K | |
| Image Sensor | 1/2.8 Progressive Scan CMOS | | 1/2.8 Progressive Scan CMOS | |
| Lens | 5.3~64mm, 12X Optional Zoom | | 8~32mm, 4X Optional Zoom | |
| Field of View | H61° ~ H5° / D69° ~ D5° / V36° ~ V2° | | H44° ~ H13° / D51° ~ D15° / V25° ~ V7° | |
| Max. Frame Rate | 60fps@(1920 x 1080) | | 30fps@(3840 x 2160) | |
| Mobile Communication | Support 5G/4G/3G | | Support 5G/4G/3G | |
| Wireless Communication | n1/n2/n3/n5/n7/n8/n12/n66/n71/n77/n79 | | n1/n2/n3/n5/n7/n8/n12/n66/n71/n77/n79 | |
| Frequency Bands | 5G | DL 3.3Gbps: UL 250Mbps | DL 3.3Gbps: UL 250Mbps | |
| Wireless Transmission Speed | SA | DL 3.4Gbps: UL 200Mbps | DL 3.4Gbps: UL 200Mbps | |
| SIM Card | NSA | Nano Sim | Nano Sim | |
| Oputput Power | 27 dBm Max | | 27 dBm Max | |
| Sensitivity | -14dBm Sensitivity @292bps | | -14dBm Sensitivity @292bps | |
| Protocol | IPv4/IPv6, ARP, TCP, UDP, RTCP, RTP, RTSP, RTMP, HTTP, HTTPS, DNS, DDNS, DHCP, FTP, NTP, SMTP, SNMP, UPnP, Bonjour, SIP, PPPoE, VLAN, 802.1x, QoS, IGMP, ICMP, SSL | | | |
| Communication Range | 15km | | 15km | |




NETWORK VIDEO RECORDER

4K

H.265

VCA

ANPR




EASY PLUG AND PLAY

Plug and Play

Passing electric power along with video/audio/data to the camera over one single cable

Compact and Discreet Design

VERSATILE STORAGE CHOICES

Abundant Storage Way


Multiple storage capacity and various storage types

NAS Network Attached Storage

Supporting 8 NAS at most to store files and snapshots

Disk Group

Dividing disks into different groups for different storage needs of recorded files




BETTER PLAYBACK EXPERIENCE

Transcoding

Transcoding the recorded stream parameters into a smaller one

Dual Stream Recording

Recording in Primary + Secondary Stream synchronously

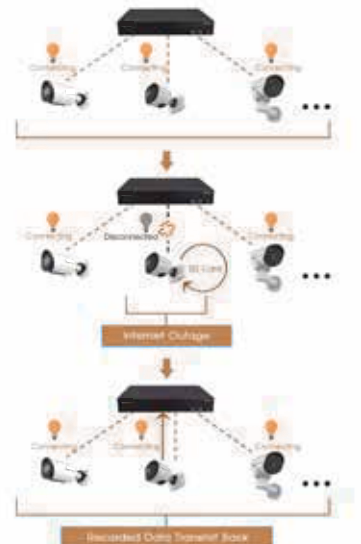
GUARANTEED DATA SECURITY

N+1 Hot Spare

A failover mechanism to provide reliability in system

ANR

Automatic Network Replenishment for reliable and flexible storage

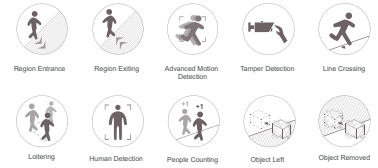




RELIABLE OPERATION PERFORMANCE

Robust Operation System

No default password and several security questions ensure a stable operation system



USER-FRIENDLY DESIGN

User-friendly Design

User-friendly logic into the operation UI of the NVR series



COMPREHENSIVE INTEGRATION

Comprehensive Integration

ONVIF & extensive compatibility with third-party devices



SMART FUNCTIONS

ALCO VCA

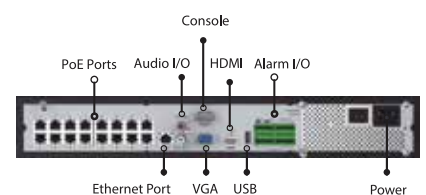
ANPR

Realizing a complete traffic monitoring back-end management system



EXQUISITE STRUCTURE DESIGN

Versatile Interfaces



POE NVR SERIES 4K H265

Linux os Embedded / Online Upgrade / Nas & HDD

KEY FEATURE

- 4* PoE Plug and Play
- Up to 10TB Storage
- Up to 8-CH Video Input
- Up to 4K Decoding Performance
- 6 Dual Stream Recording
- Smart VCA Management
- Enterprise ANPR Management



| Model | AIS-NR1004-UPC | AIS-NR1008-UPC |
|----------------------|--|--|
| Network Video Input | 4-CH | 8-CH |
| Incoming / Outgoing | 40 Mbps / 40 Mbps | 80 Mbps / 80 Mbps |
| Decoding Capacity | 1*(30fps @ 8MP) 4*(30fps @ 1080P) | 1*(30fps @ 8MP) 4*(30fps @ 1080P) |
| Recording Resolution | 8MP / 6MP / 5MP / 4 MP / 3 MP / 1080P / UXGA / 720P / D1 / VGA / QCF | 8MP / 6MP / 5MP / 4 MP / 3 MP / 1080P / UXGA / 720P / D1 / VGA / QCF |
| Video Compression | H.265+ / H.265(HEVC)/H.264+/H.264 | H.265+ / H.265(HEVC)/H.264+/H.264 |
| Storage | 1*SATA HDD(3.5"): Up to 10TB Capacity for each HDD | 1*SATA HDD(3.5"): Up to 10TB Capacity for each HDD |
| Network Interface | 1*RJ45 10M / 100M | 1*RJ45 100M / 1000M |
| USB Interface | 2*USB 2.0 | 2*USB 2.0 |
| PoE Interface | 4*RJ45 10M / 100M | 4*RJ45 10M / 100M |
| Protocol | IPv4, IPv6, TCP, UDP, RTP, RTSP, RTCP, HTTP, DNS, DDNS, DHCP, NTP, SNTP, SMTP, SNMP, UPnP, NFS | |
| Dimensions/Weight | 220mm (W) X 200mm (D) X 43.6mm (H) / 0.2KG | 220mm (W) X 200mm (D) X 43.6mm (H) / 0.2KG |

POE NVR SERIES 4K H265

Linux os Embedded / Online Upgrade / Nas & HDD

KEY FEATURE

- 24* PoE Plug and Play
- Up to 4* 10TB Storage
- Up to 32-CH Video Input
- Up to 4K Decoding Performance
- Multi-Screen Output
- Smart VCA Management
- Enterprise ANPR Management



| Model | AIS-NR5008-UPC | AIS-NR5016-E / UPT | AIS-NR7016UPH | AIS-NR7032-UPH |
|----------------------|--|---|--|---|
| Network Video Input | 8-CH | 16-CH | 16-CH | 32-CH |
| Incoming / Outgoing | 80 Mbps / 80 Mbps | 80 Mbps / 50 Mbps | 160 Mbps / 160 Mbps | 256 Mbps / 200 Mbps (When RAID is enabled) |
| Decoding Capacity | 1*(30fps @ 8MP) 4*(30fps @ 1080P) | 1*(30fps @ 8MP) 6*(30fps @ 1080P) | 4*(30fps @ 8MP) 16*(30fps @ 1080P) | 4*(30fps @ 8MP) 16*(30fps @ 1080P) |
| Recording Resolution | 8MP / 6MP / 5MP / 4 MP / 3 MP / 1080P / UXGA / 720P / D1 / VGA / QCF | 12MP / 8MP / 6MP / 5MP / 4 MP / 3 MP / 1080P / UXGA / 720P / D1 / VGA / QCF | | |
| Video Compression | H.265+ / H.265(HEVC)/H.264+/H.264 | | | |
| Storage | 2*SATA HDD(3.5"): Up to 10TB Capacity for each HDD | | 4*SATA HDD(3.5"): Up to 10TB Capacity for each HDD | |
| Network Interface | 1*RJ45 100M / 1000M | 1*RJ45 100M / 1000M | 1*RJ45 100M / 1000M | 24*RJ45 100M / 1000M |
| USB Interface | 2*USB 2.0 | 1*USB 3.0: 2*USB 2.0 | 1*USB 3.0: 2*USB 2.0 | 1*USB 3.0: 2*USB 2.0 |
| PoE Interface | 8*RJ45 10M / 100M | 16*RJ45 10M / 100M | 16*RJ45 10M / 100M | 24*RJ45 10M / 100M |
| Protocol | IPv4, IPv6, TCP, UDP, RTP, RTSP, RTCP, HTTP, DNS, DDNS, DHCP, NTP, SNTP, SMTP, SNMP, UPnP, NFS | | | |
| Dimensions/Weight | Rock Mountable Chassies (1.0U) 380mm(W)X317.6mm(D)X51.8mm(H)/ 2.6KG | | Rock Mountable Chassies (1.5U) 440mm(W)X320mm(D)X66.8mm(H)/ 5.0KG | |

POE MINI NVR SERIES 4K H265

Linux os Embedded / Online Upgrade / Nas & HDD

KEY FEATURE

- 4* PoE Plug and Play
- Up to 10TB Storage
- Up to 8-CH Video Input
- Up to 4K Decoding Performance
- 6 Dual Stream Recording
- Smart VCA Management
- Enterprise ANPR Management



| Model | AIS-NR1004-UC | AIS-NR1008-UC |
|----------------------|--|--|
| Network Video Input | 4-CH | 8-CH |
| Incoming / Outgoing | 40 Mbps / 40 Mbps | 80 Mbps / 80 Mbps |
| Decoding Capacity | 1*(30fps @ 8MP) 4*(30fps @ 1080P) | 1*(30fps @ 8MP) 4*(30fps @ 1080P) |
| Recording Resolution | 8MP / 6MP / 5MP / 4 MP / 3 MP / 1080P / UXGA / 720P / D1 / VGA / CIF / QCF | |
| Video Compression | H.265+ / H.265(HEVC)/H.264+/H.264 | |
| Storage | 1*SATA HDD(3.5"): Up to 10TB Capacity for each HDD | 1*SATA HDD(3.5"): Up to 10TB Capacity for each HDD |
| Network Interface | 1*RJ45 10M / 100M | 1*RJ45 100M / 1000M |
| USB Interface | 2*USB 2.0 | 2*USB 2.0 |
| PoE Interface | 4*RJ45 10M / 100M | 4*RJ45 10M / 100M |
| Protocol | IPv4, IPv6, TCP, UDP, RTP, RTSP, RTCP, HTTP, DNS, DDNS, DHCP, NTP, SNTP, SMTP, SNMP, UPnP, NFS | |
| Dimensions/Weight | 220mm (W) X 200mm (D) X 43.6mm (H) / 0.2KG | |

POE NVR SERIES 4K H265

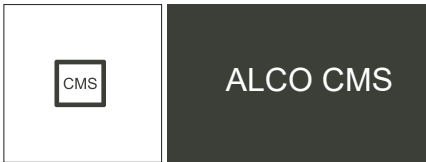
Linux os Embedded / Online Upgrade / Nas & HDD

KEY FEATURE

- 24* PoE Plug and Play
- Up to 4* 10TB Storage
- Up to 32-CH Video Input
- Up to 4K Decoding Performance
- Multi-Screen Output
- Smart VCA Management
- Enterprise ANPR Management



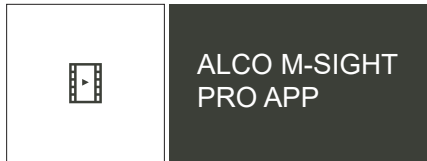
| Model | AIS-NR5008-UC | AIS-NR5016-UT | AIS-NR7016-UH | AIS-NR7032-UH | AIS-NR8032-UH | AIS-NR8064-UH |
|----------------------|--|--------------------------------------|---|---------------------------------------|--|--------------------------------------|
| Network Video Input | 8-CH | 16-CH | 16-CH | 32-CH | 32-CH | 64-CH |
| Incoming / Outgoing | 80Mbps-80Mbps | 80Mbps-50Mbps | 160 Mbps-160 Mbps | 256 Mbps-200 Mbps | 265 Mbps-200 Mbps | 320 Mbps-200 Mbps |
| Decoding Capacity | 1*(30fps @ 8MP) 4*(30fps @ 1080P) | 1*(30fps @ 8MP) 6*(30fps @ 1080P) | 4*(30fps @ 8MP) 16*(30fps @ 1080P) | 4*(30fps @ 8MP) 16*(30fps @ 1080P) | 4*(30fps @ 8MP) 16*(30fps @ 1080P) | 4*(30fps @ 1080P) 16*(30fps @ D1) |
| Recording Resolution | 8MP / 6MP / 5MP / 4 MP / 3 MP / 1080P / UXGA / 720P / D1 / VGA / QCF | | 12MP / 8MP / 6MP / 5MP / 4 MP / 3 MP / 1080P / UXGA / 720P / D1 / VGA / QCF | | | |
| Video Compression | H.265+ / H.265(HEVC)/H.264+/H.264 | | H.265+ / H.265(HEVC)/H.264+/H.264 | | H.265+ / H.265(HEVC)/H.264+/H.264 | |
| Storage | 2*SATA HDD(3.5"): Up to 10TB HDD | | 4*SATA HDD(3.5"): Up to 10TB HDD | | 8*SATA HDD(3.5"): 1* eSATA Up to 10TB HDD | |
| Network Interface | 1*RJ45 100M / 1000M | | 2*RJ45 100M / 1000M | | 2*RJ45 100M / 1000M | |
| USB Interface | 2*USB 2.0 | 1*USB 3.0: 2*USB 2.0 | 1*USB 3.0: 2*USB 2.0 | | 1*USB 3.0: 2*USB 2.0 | |
| PoE Interface | 4*RJ45 10M / 100M | | 4*RJ45 10M / 100M | | 2*RJ45 10M / 100M / 1000M | |
| Protocol | IPv4, IPv6, TCP, UDP, RTP, RTSP, RTCP, HTTP, DNS, DDNS, DHCP, NTP, SNTP, SMTP, SNMP, UPnP, NFS | | | | | |
| Dimensions/Weight | Rock Mountable Chassies (1.0U) 380mm(W)X317.6mm(D)X51.8mm(H)/ 1.9KG | | Rock Mountable Chassies (1.5U) 440mm(W)X320mm(D)X66.8mm(H)/ 4.1KG | | Rock Mountable Chassies (2.0U) 440mm(W)X420mm(D)X88.2mm(H)/ 6.0KG | |



▶ LIVE VIEW / PLAYBLACK / ELECTRONIC MAP

KEY FEATURES

- Central Management System
- Fully Integrated with Alco network cameras & NVR's
- Comprehensive Management via IP/Domains, P2P and Alco DDNS
- H.265/H.264 video compression
- Support Multiple Monitors (up to-64ch each monitor)
- Support up to 256 devices
- Support two-layer E-map
- Alco VCA Functions
- Support all functions like ANPR solution, heat map and Auto tracking, etc.

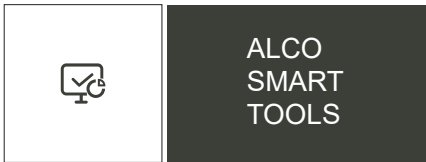


▶ H.265 & H.264 / CUSTOMIZED STRAM PARAMETERS / DUAL STREAM

KEY FEATURES

- Simultaneously Manage Alco Network Cameras and NVR's
- Support Client-side De-warping for fisheye Camera
- Support PTZ control and white led control in live view
- Up to 64-ch Simultaneous live view and 4-ch playback
- Add Devices via IP/Domains, P2P and Alco DDNS
- Transcoding to get better payback performance
- Support alarm video push notification
- One click to deliver Alarm output
- One click to quick playback & playback with NAS, SD card files and HDD files
- Backup the Captured images and recorded videos locally for monitoring
- Support up-to 16X digital zoom

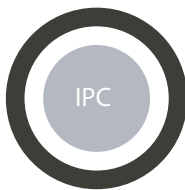




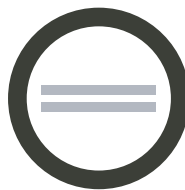
SEARCH / CONFIGURATION / CALCULATION

KEY FEATURES

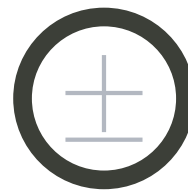
- Unified Management for network cameras and NVR's
- Batch settings for Alco devices
- Online batch upgrade for Alco devise
- Fast, comprehensive and powerful calculations ntral Management System



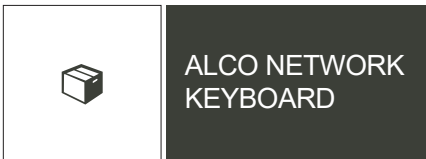
IPC TOOLS



NVR TOOLS



CALCULATORS TOOLS



NETWORK CONNECTION / LED SCREEN DISPLAY / EASY TO USE

KEY FEATURES

- Easy connection and control of Alco NVR's and PTZ cameras
- Support 4-axis variable speed joystick and shuttle
- Support to control up to 110 devices
- Short cut key for PTZ control and NVR control
- Short cut key for recording and playback control
- Shortcut key for light control operations
- Built-in web server



ALCO NETWORK CAMERA ACCESSORIES

NEAT & INTEGRATED DESIGN / EASY & ROBUST INSTALLATION

| | | | |
|---|---|--|---|
| <p>AIS-A01 Pole Mount</p> <p>Weight: 720g Dimension: 170*51.5*152.6mm</p> |  | <p>AIS-A01 Pole Mount</p> <p>Weight: 540g Dimension: 170*23.2mm</p> |  |
| <p>AIS-A03 External Corner Bracket</p> <p>Weight: 900g Dimension: 170*152.6*76.3mm</p> |  | <p>AIS-A03 External Corner Bracket</p> <p>Weight: 400g Dimension: 200*129*100mm</p> |  |
| <p>AIS-A42 Pendant Mount</p> <p>Weight: 650g Dimension: 116.5*225mm</p> |  | <p>AIS-A42 Pendant Mount</p> <p>Weight: 1000g Dimension: 195*164*80mm</p> |  |
| <p>AIS-A51 Protective Housing</p> <p>Weight: 1988g Dimension: 380*150mm</p> |  | <p>AIS-A62 Junction Box</p> <p>Weight: 510g Dimension: 134*127*40mm</p> |  |
| <p>AIS-A63 Junction Box</p> <p>Weight: 650g Dimension: 134*127*40mm</p> |  | <p>AIS-A71 Wall Mount</p> <p>Weight: 530g Dimension: 162*124*8mm</p> |  |
| <p>AIS-A71 Wall Mount</p> <p>Weight: 560g Dimension: 240*160*136mm</p> |  | <p>AIS-A3 Adapter Plate</p> <p>Weight: 28g Dimension: 115*225*10mm</p> |  |
| <p>AIS-A74 Junction Box</p> <p>Weight: 60g Dimension: 121.5*116.5*37..2mm</p> |  | <p>AIS-AC72 Smoked Dome Cover</p> <p>Applicable Pro Dome</p> |  |
| <p>AIS-A75 Junction Box</p> <p>Weight: 200g Dimension: 155.5*167*33.5mm</p> |  | <p>AIS-A76 Pendant Mount</p> <p>Weight: 620g Dimension: 136*L mm</p> |  |
| <p>AIS-A76L Extension Lever</p> <p>Weight: 315g Dimension: 34*300mm</p> |  | <p>AIS-A77 Wall Mount</p> <p>Weight: 650g Dimension: 262*185*138mm</p> |  |
| <p>AIS-A78 Recessed Mount</p> <p>Weight: 715g Dimension: 256*256*94mm</p> |  | <p>AIS-A79 Pendant Mount</p> <p>Weight: 850g Dimension: 256*256*245mm</p> |  |



San Carlos Business and Technology Park,
Industrial Road, CA 94070 - USA
Email us at enquiry@alcosolutions.net
Web: www.alcosolutions.net