

**H.265+ VANDAL-PROOF BULLET LITE CAMERA (2/5 MP)**

H.265+ / 3 Axis Mechanical Design / PoE / SIP

**KEY FEATURE**

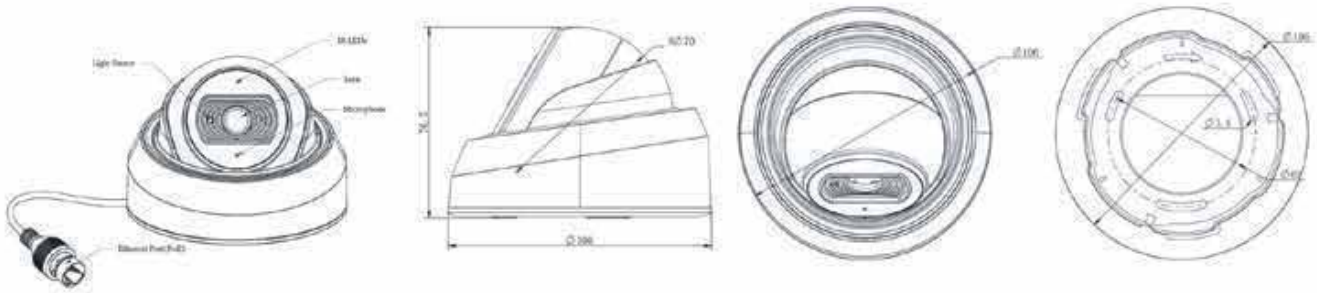
- Smart Stream
- Powerful IR LEDs
- Advanced Function
- Adjustable 3 Axis Bracket



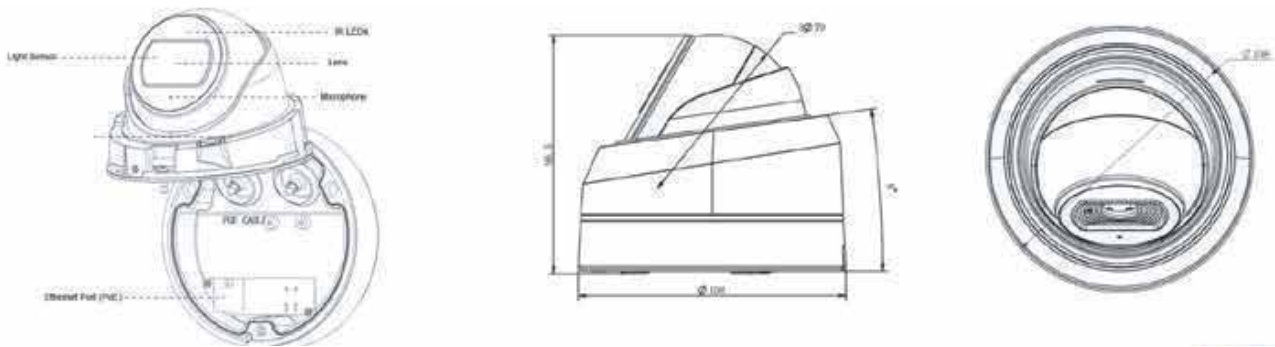
MODEL	AIS-NC2964-SPB	AIS-NC5364-PB
Image Sensor	1/2.8" Progressive Scan CMOS	1/2.8" Progressive Scan CMOS
WDR	Super WDR 140dB	Super WDR 120dB
Min. Illumination	Color: 0.002Lux@F1.2 B/W: 0Lux with IR on	Color: 0.008Lux@F1.6
Lens	2.8mm/4mm/6mm @F1.6	2.8mm/4mm/6mm @F1.6
Field of View	H111°/D128°/V61°(2.8mm)	H105°/ D131° / V78°
Mount	M12	M12
Shutter Time	1/100000s~1s	1/100000s~1s
IR Distance	Up to 30m	Up to 30m
Day & Night	ICR Filter Auto Switch	ICR Filter Auto Switch
S / N	>55dB	>55dB
Max. Image Resolution	1920x1080	2592*1944 @20fps
Primary Stream	30fps@(1920x1080, 1280x960, 1280x720, 704x576)	
Secondary Stream	30fps@(704x576, 640x480, 640x360, 352x288, 320x240, 320x192, 320x180)	
Video Compression	H.265+ / H.265(HEVC)/H.264+/H.264/MJPEG	
Video Bit Rate	16Kbps~16Mbps(CBR/VBR Adjustable)	16Kbps~16Mbps(CBR/VBR Adjustable)
Image Setting	Brightness/Contrast/Saturation/Sharpness	
Ethernet	1*RJ45 10M/100M Ethernet Port	
Network Storage	NAS(Support NFS, SMB/CIFS)	
Protocol	IPv4/IPv6, ARP, TCP, UDP, RTCP, RTP, RTSP, RTMP, HTTP, HTTPS, DNS, DDNS, DHCP, FTP, NTP, SMTP, SNMP, UPnP, Bonjour,SIP, PPPoE, VLAN, 802.1x, QoS, IGMP, ICMP, SSL	
Storage	Support microSD/SDHC/SDXC Card Local Storage, up to 256G (Optional)	
Advanced Function	Privacy Masking, BLC, HLC, 2D DNR, 3D DNR, ROI,	
SIP / VoIP Support	Yes, Voice & Video-over-IP	
Event Trigger	Motion Detection, Network Disconnection, etc.	
Event Action	FTP Upload, SMTP Upload, SD Card Record, SIP Phone, HTTP Notification, etc.	
Video Analysis	Region Entrance, Region Exiting, Advanced Motion Detection	
System Compatibility	ONVIF Profile G & Q & S & T	
Working Temperature	-40°C ~ 60°C	
Working Humidity	0~90%(Non-condensing)	
Power Supply	PoE (802.3af)	
Power Consumption	2.5W MAX / 3.6W MAX (With IR on)	
Weather Proof	Up to IP67-rated for Weather-resistant Performance	
Housing	Vandal-proof IK10-rated Metal Housing	
Weight	450g (Cable Out Version) / 610g (Junction Box Version)	
Dimensions	φ 64mmX160mm (Cable Out Version) / 97mmX74mmX180mm (Junction Box Version)	

## STRUCTURE DIAGRAMS

### CABLE OUT VERSION



### JUNCTION BOX VERSION



## ACCESSORIES SUPPORT

AIS-A01 Pole Mount

Weight: 720g  
Dimensions: 170\*51.5\*152.6mm



AIS-A02 Internal Corner Bracket

Weight: 540g  
Dimensions: 170\*23.2\*205.3mm



AIS-A03 External Corner Bracket

Weight: 900g  
Dimensions: 170\*152.6\*76.3mm



AIS-A71 Wall Mount

Weight: 530g  
Dimensions: 162-124-78mm



AIS-A73 Adapter Plate

Weight: 28g  
Dimensions: 115\*122.5\*10mm

