

H.265+ VANDAL-PROOF DOME LITE CAMERA (2/5 MP)

H.265+ / IP67 / 3 Axis Mechanical Design / IK10 / SIP

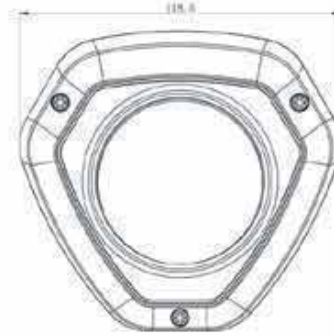
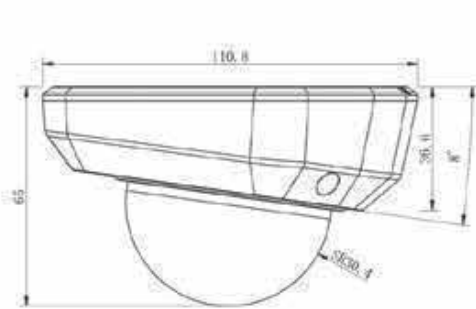
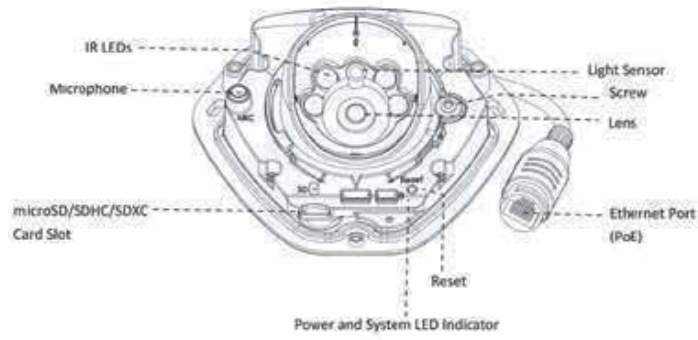
KEY FEATURE

- Smart Stream
- Powerful IR LEDs
- Advanced Function
- Adjustable 3 Axis Bracket



MODEL	AIS-NC2973-SPB	AIS-NC5373-PB
Image Sensor	1/2.8" Progressive Scan CMOS	1/2.8" Progressive Scan CMOS
Min.Illumination	Color: 0.002Lux@F1.2 B/W: 0Lux with IR on	Color: 0.008Lux@F1.6
WDR	140dB Super WDR	Super WDR 120dB
Lens	2.8mm/4mm/6mm @F1.6	2.8mm/4mm/6mm @F1.6
Mount	M12	M12
Field of View	H111°/D128°/V61°(2.8mm) H91°/D106°/V50°(4mm) H55°/D63°/V32°(6mm)	
Shutter Time	1/100000s~1s	1/100000s~1s
IR Distance	Up to 30m	Up to 30m
Day & Night	ICR Filter Auto Switch	ICR Filter Auto Switch
S / N	>55dB	>55dB
Max. Image Resolution	1920x1080	2592*1944 @20fps
Primary Stream	30fps@(1920x1080, 1280x960, 1280x720, 704x576)	
Secondary Stream	30fps@(704x576, 640x480, 640x360, 352x288, 320x240, 320x192, 320x180)	
Video Compression	H.265+/H.265(HEVC)/H.264+/H.264/MJPEG	H.265+/H.265(HEVC)/H.264+/H.264/MJPEG
Video Bit Rate	16Kbps~16Mbps(CBR/VBR Adjustable)	16Kbps~16Mbps(CBR/VBR Adjustable)
Image Setting	Brightness/Contrast/Saturation/Sharpness	Brightness/Contrast/Saturation/Sharpness
Ethernet	1*RJ45 10M/100M Ethernet Port	1*RJ45 10M/100M Ethernet Port
Network Storage	NAS(Support NFS, SMB/CIFS)	NAS(Support NFS, SMB/CIFS)
Protocol	IPv4/IPv6, ARP, TCP, UDP, RTCP, RTP, RTSP, RTMP, HTTP, HTTPS, DNS, DDNS, DHCP, FTP, NTP, SMTP, SNMP, UPnP, Bonjour,SIP, PPPoE, VLAN, 802.1x, QoS, IGMP, ICMP, SSL	
Storage	Support microSD/SDHC/SDXC Card Local Storage, up to 256G (Optional)	
Advanced Function	Privacy Masking, BLC, HLC, 2D DNR, 3D DNR, ROI,	
SIP/VoIP Support	Yes, Voice & Video-over-IP	Yes, Voice & Video-over-IP
Event Trigger	Motion Detection, Network Disconnection, etc.	
Event Action	FTP Upload, SMTP Upload, SD Card Record, SIP Phone, HTTP Notification, etc.	
Video Analysis	Region Entrance, Region Exiting, Advanced Motion Detection	
System Compatibility	ONVIF Profile G & Q & S & T	ONVIF Profile G & Q & S & T
Working Temperature	-40°C ~ 60°C	-40°C ~ 60°C
Working Humidity	0~90%(Non-condensing)	0~90%(Non-condensing)
Power Supply	PoE (802.3af)	PoE (802.3af)
Power Consumption	3.5W MAX (With IR on)	3.5W MAX (With IR on)
Weather Proof	Up to IP67-rated for Weather-resistant Performance	
Audio I/O	Built-in Microphone	Built-in Microphone
Dimensions/Weight	118.5mmX110.8mmX65mm/500g	118.5mmX110.8mmX65mm/500g

STRUCTURE DIAGRAMS



ACCESSORIES SUPPORT

AIS-A01 Pole Mount

Weight: 720g
Dimensions: 170*51.5*152.6mm



AIS-A02 Internal Corner Bracket

Weight: 540g
Dimensions: 170*23.2*205.3mm



AIS-A03 External Corner Bracket

Weight: 900g
Dimensions: 170*152.6*76.3mm



AIS-A71 Wall Mount

Weight: 530g
Dimensions: 162-124-78mm



AIS-A73 Adapter Plate

Weight: 28g
Dimensions: 115*122.5*10mm



AIS-A74 Junction Box

Weight: 60g
Dimensions: 121.5*116.5*37.2mm

